

Owner's Manual Mode d'emploi Manual de instrucciones

MARINE MONO AMPLIFIER
AMPLIFICATEUR MONOBLOC MARIN
AMPLIFICATEUR MONOAURAL MARINO

GM-ME300X1C

English
Français
Español

PIONEER CORPORATION

28-8, Honkomagome 2-chome, Bunkyo-ku,
Tokyo 113-0021, JAPAN

PIONEER ELECTRONICS (USA) INC.

P.O. Box 1540, Long Beach, California 90801-1540, U.S.A.
TEL: (800) 421-1404

Register your product at
Enregistrez votre produit au
Registre su producto en

<https://www.pioneerelectronics.com>

in Canada
au Canada
en Canadá

<https://www.pioneerelectronics.ca>

Before you start

Thank you for purchasing this PIONEER product

To ensure proper use, please read through this manual before using this product. It is especially important that you read and observe **WARNINGS** and **CAUTIONS** in this manual. *Please keep the manual in a safe and accessible place for future reference.*

Information to User

Alteration or modifications carried out without appropriate authorization may invalidate the user's right to operate the equipment.

Note

This equipment has been tested and found to comply with the limits for a Class B digital device, pursuant to Part 15 of the FCC Rules. These limits are designed to provide reasonable protection against harmful interference in a residential installation. This equipment generates, uses and can radiate radio frequency energy and, if not installed and used in accordance with the instructions, may cause harmful interference to radio communications. However, there is no guarantee that interference will not occur in a particular installation. If this equipment does cause harmful interference to radio or television reception, which can be determined by turning the equipment off and on, the user is encouraged to try to correct the interference by one or more of the following measures:

- Reorient or relocate the receiving antenna.
- Increase the separation between the equipment and receiver.
- Connect the equipment into an outlet on a circuit different from that to which the receiver is connected.
- Consult the dealer or an experienced radio/TV technician for help.

FEDERAL COMMUNICATIONS
COMMISSION SUPPLIER'S DECLARATION
OF CONFORMITY
Product Name: Marine Mono Amplifier
Model Number: GM-ME300X1C
Responsible Party Name: PIONEER
ELECTRONICS (USA) INC.
SERVICE SUPPORT DIVISION
Address: 2050 W. 190TH STREET, SUITE 100,
TORRANCE, CA 90504, U.S.A.
Phone: 1-800-421-1404
URL: <https://www.pioneerelectronics.com>

After-sales service for Pioneer products

Please contact the authorized Pioneer dealer from which you purchased this unit or an authorized Pioneer service company for after-sales service or questions you may have about the product. You may contact Pioneer directly as follows:

Do not ship your unit in for repair without contacting Pioneer first. Units sent without a return authorization number will be refused.

USA & CANADA

Pioneer Electronics (USA) Inc.
CUSTOMER SUPPORT DIVISION
P.O. Box 1760
Long Beach, CA 90801-1760 U.S.A.
800-421-1404

For warranty information, please see the Limited Warranty sheet included with this unit.

Visit our website

U.S.:

<https://www.pioneerelectronics.com>

Canada:

<https://www.pioneerelectronics.ca>

- Learn about product updates (such as firmware updates) for your product.
- Register your product.
- Access owner's manuals, spare parts information, service information, and much more.

The Safety of Your Ears is in Your Hands

Get the most out of your equipment by playing it at a safe level—a level that lets the sound come through clearly without annoying blaring or distortion and, most importantly, without affecting your sensitive hearing. Sound can be deceiving. Over time, your hearing "comfort level" adapts to higher volumes of sound, so what sounds "normal" can actually be loud and harmful to your hearing. Guard against this by setting your equipment at a safe level BEFORE your hearing adapts.

ESTABLISH A SAFE LEVEL:

- Set your volume control at a low setting.
- Slowly increase the sound until you can hear it comfortably and clearly, without distortion.
- Once you have established a comfortable sound level, set the dial and leave it there.

BE SURE TO OBSERVE THE FOLLOWING GUIDELINES:

- Do not turn up the volume so high that you can't hear what's around you.
- Use caution or temporarily discontinue use in potentially hazardous situations.
- Do not use headphones while operating a boat; the use of headphones may create a traffic hazard and is illegal in many areas.

Before connecting/installing the amplifier

WARNING

- To prevent fire hazard, the heatsink should never be covered (such as by paper, material, etc.).
- This unit is for boats with a 12 V battery and negative grounding. Before installing, check the battery voltage.
- When installing this unit, make sure to connect the ground wire first. Ensure that the ground wire is properly connected to the negative ground circuit of the boat. Use adequate gauge, marine grade electrical wire that has been properly terminated for marine use to make a direct connection to the negative bus bar or negative ground distribution system.

Do not attempt to ground the amplifier using the mounting screws.

- Use fused marine grade battery wire (sold separately) of adequate gauge that has been properly terminated for marine use to make a direct connection to the positive bus bar or positive distribution system.
- **If the screw for the ground wire loosens or falls out, it could result in fire, smoke or malfunction.**
- Always use a fuse of the rating prescribed. The use of an improper fuse could result in overheating and smoke, damage to the product, and injury, including burns.
- Check all electrical and signal connections (power, ground, amplifier, speaker, etc.) if amplifier fuse or battery wire fuse blows. Resolve any loose or short circuited connections, then replace the blown fuse with an identical value equivalent.
- Always install the amplifier on an even surface. Do not install the amplifier on a surface that is uneven or has a protrusion. Doing so could result in malfunction.
- When installing the amplifier, do not allow parts such as extra screws to get caught between the amplifier and the boat. Doing so could cause malfunction.
- In the event of any abnormality, the power supply to the amplifier may cut off to prevent equipment malfunction. If this occurs, switch the system power off and check all electrical and signal connections (power, ground, amplifier, speaker, etc.) for loose or short circuited connections. If you are unable to determine the cause, please contact your dealer.
- Always disconnect the negative \ominus terminal of the battery before making any electrical or signal connections to avoid the risk of electric shock or short circuit during installation.
- Do not attempt to disassemble or modify this unit. Doing so may result in fire, electric shock or other malfunction. Damage or defects resulting from alterations or modifications not authorized in writing by Pioneer are excluded from limited warranty coverage.
- Do not install the amplifier in a location exposed to direct sunlight or excessive heat, humidity or dust.


- While this amplifier is designed to be water-resistant, it should never be submerged under water or subjected to high-pressure water spray.
- Install the amplifier in a dry and well-ventilated environment, where other equipment will not interfere with it.
- When drilling holes in the chassis for installation, take precautions so as not to contact, damage or obstruct pipes, fuel lines, tanks or electrical wiring. Failure to take such precautions may result in fire.
- To ensure proper heat dissipation of the amplifier, ensure the following during installation:
 - Allow adequate space above the amplifier for proper ventilation.
 - Do not mount the amplifier in the engine compartment or in any areas of extreme heat.
 - Do not cover the amplifier.

fire, emit smoke or become damaged. DO NOT use the amplifier with subwoofer configurations with a combined or singular nominal impedance less than 2Ω.

About the protection function
 This product has a protection function. If this product detects something abnormal, the Power/Protect indicator will turn red and the operation of amplifier will be stopped.
 Possible causes include:
 — When the temperature inside the product becomes high
 — When speaker output detects an abnormality
 — When the supply voltage is out of specification

Important (Serial number)
 The serial number is located on the bottom of this unit. Be sure to record this number on the enclosed warranty card before installation.

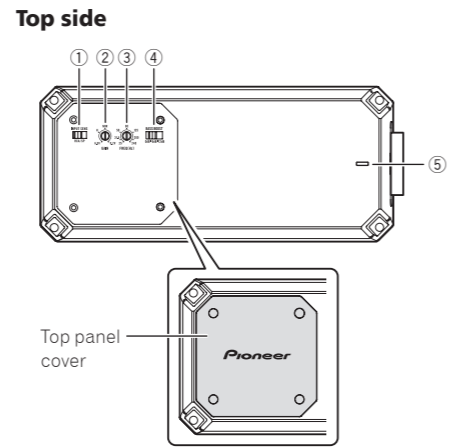
- Ask your dealer or installation professional to install/uninstall this product. Incorrect installation can create dangerous hazards or interfere with boat operation.**
- Keep small items such as bolts, screws and tools out of the reach of children. Swallowing can cause serious injury. If swallowed, consult a doctor immediately.

- CAUTION**
- Always keep the volume low enough to hear outside sounds.
 - Extended use of the amplifier while the engine is at rest or idling may exhaust the battery.
 - The graphical symbol  placed on the product means this is an electronic product requiring direct current electrical power.
 - One or more subwoofers may be connected to this amplifier, but must meet one of the following configurations:
 - Combined or singular nominal input power handling of 300W or greater if the combined or singular nominal impedance is equal to or greater than 2Ω.

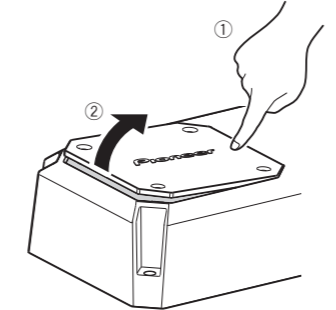
WARNING: If the nominal input and impedance are not within the above ranges, the subwoofer(s) may catch

Setting the unit

What's what

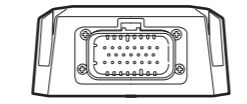


- Use the supplied wrench to remove the four screws and detach the top panel cover. Be sure not to lose the removed screws.



- Use a flathead screwdriver to adjust the switch if needed.

Right side



- INPUT SENS switch**
 Select **RCA** for RCA level input signals or **SP** for Speaker level input signals.
- GAIN volume**
 If the output remains low even when the headunit volume is turned up, turn the volume to a lower level (clockwise). If distortion occurs when the headunit volume is turned up, turn these volumes to a higher

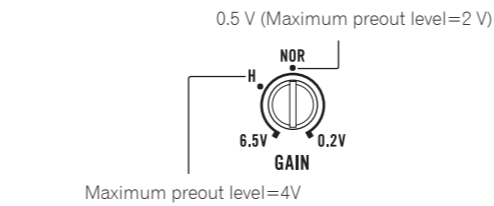
- level (counterclockwise).
- For use with an RCA equipped stereo (standard output of 500 mV), set to the **NOR** (normal) position. For use with an RCA equipped Pioneer headunit with maximum output of 4 V or more, adjust level to match that of the stereo output.
- For use with an RCA equipped headunit with output of 4 V, set to the **H** (High) position.
- If you hear too much noise when using the speaker input terminals, turn the gain control to higher level.

- FREQ (Hz) (cutoff frequency)**
 You can select a cutoff frequency from 25 Hz to 240 Hz. For precise frequency information, refer to *Precise Frequency Selection Chart*.
- BASS BOOST switch**
 You can select a bass boost level of 0 dB, 6 dB, or 12 dB.
- Power/Protect indicator**
 The power indicator lights blue to indicate power ON.
 - The power indicator lights red to indicate protection mode has been engaged.

Setting gain properly

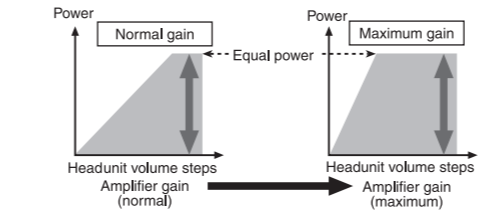
- A protective function is included to avoid malfunction of the unit and/or speakers due to excessive output, improper use or improper connection.
- When outputting high volume sound etc., this function may cut off the output for a few seconds as a normal function. Output will be restored when the volume of the headunit is turned down.
- A cut in sound output may indicate improper setting of the gain volume. To ensure continuous sound output with the headunit at a high volume, set the amplifier gain volume to a level appropriate for the preout maximum output level of the headunit, so that volume can remain unchanged and to avoid distortion caused by signal waveform clipping at the amplifier input.
- Even with correct volume and gain settings, the unit sound may cut out periodically. In such cases, please contact an authorized Pioneer Service Company.

Gain volume of this unit



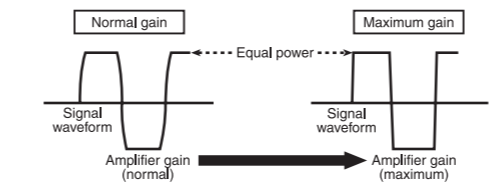
Above illustration shows **NOR** (normal) gain setting.

Relationship between amplifier gain and headunit output power



If amplifier gain is raised improperly, this will simply increase distortion, with little increase in power.

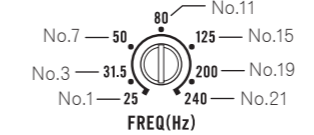
Signal waveform when outputting at high volume using amplifier gain volume



If the signal waveform is distorted due to high output, even if the amplifier gain is raised, the output power will change only slightly.

Precise Frequency Selection Chart

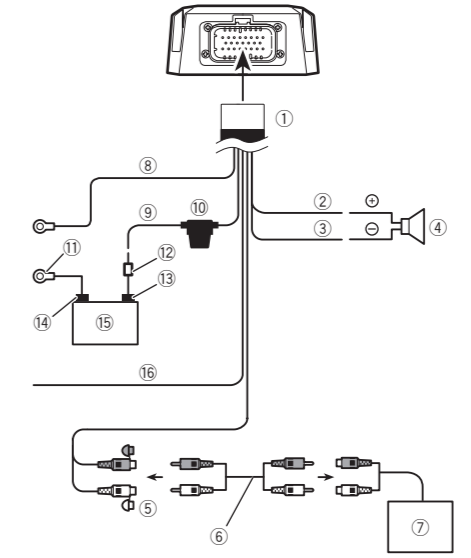
The numbers in the illustration correspond to the Step Number.



Step Number	Frequency (Hz)
1	25
2	28
3	31.5
4	36
5	40
6	45
7	50
8	56
9	63
10	71.5
11	80
12	90
13	100
14	113
15	125
16	143
17	160
18	180
19	200
20	225
21	240

Connecting the units

Connection diagram



- To power cable input
- White: ⊕
- White/black: ⊖
- Speaker
- RCA input
- Connecting wire with RCA pin plugs (sold separately)
- Headunit with RCA output jacks (sold separately)
- Black (chassis ground)
 Connect to a clean, paint-free metal location.
- Red
- Fuse (30 A)
- Ground wire, Terminal (sold separately)
 The ground wires must be the same size as the battery wire.
- Battery wire with Fuse [more than 30A] (sold separately)
 The maximum length of the wire between the fuse and the positive ⊕ terminal of the battery is 30 cm (12 in.).
- Positive ⊕ terminal
- Negative ⊖ terminal
- Battery (sold separately)
- System remote control wire

Before connecting the amplifier

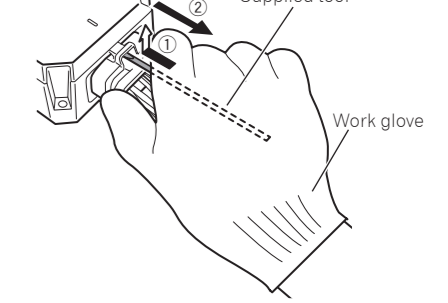
- WARNING**
- Secure the wiring with cable clamps or adhesive tape. To protect the wiring, wrap sections in contact with metal parts in adhesive tape.
 - Never cut the insulation of the power supply to feed power to other equipment. Current capacity of the wire is limited.

- CAUTION**
- If the system remote control wire of the amplifier is connected to the power terminal via the ignition switch (12 V DC), the amplifier will remain on with the ignition whether the headunit is on or off, which may exhaust battery if the engine is at rest or idling.
 - Install and route the separately sold marine grade battery wire, marine grade ground wire, speaker wires and the amplifier as far away as possible from the radio antenna, antenna cable, tuner and any communications equipment and wiring.

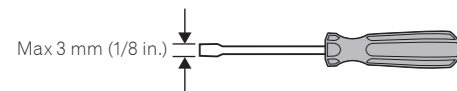
The point of connector attachment/detachment

- Push in the connector until a clicking sound is heard, confirming a secure connection.
- How to remove the connector:
 - Insert the supplied tool into the lock part of the connector.
 - Gently raise the release locking tab to separate the connector.

Note: Attempting to remove the connector by force or pulling from the wire harness can cause damage. To avoid injury, use a work glove to help with gripping the tool.



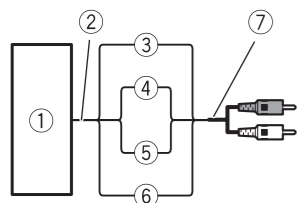
If you lose the supplied tool, use a flat screwdriver with a tip width of 3 mm or less as a substitute.



Connections when using the speaker input wire

Connect the headunit speaker output wires to the amplifier using the supplied speaker input wire with RCA pin cord.

- Make sure to switch the **INPUT SENS** switch to **SP**.



- ① Headunit
- ② Speaker output
- ③ Red: Right ⊕
- ④ Black: Right ⊖
- ⑤ Black: Left ⊖
- ⑥ White: Left ⊕
- ⑦ Speaker input wire with RCA pin cord to the RCA input jack of this unit

Note

- If speaker input wires from a headunit are connected to this amplifier, the amplifier will automatically turn on when the headunit is turned on. When the headunit is turned off, the amplifier turns off automatically. This function may not work with some headunits. In such cases, make sure that the L channel is connected correctly. If the function still does not work, please use a system remote control wire (sold separately). If multiple amplifiers are to be connected together synchronously, connect the headunit and all amplifiers via the system remote control wire.

Installation

Before installing the amplifier

⚠ WARNING

- To ensure proper installation, use the supplied parts in the manner specified. If any parts other than those supplied are used, they may damage internal parts of the amplifier or become loose, causing the amplifier to shut down.
- Do not install:
 - On surfaces that could become loose if the boat stops suddenly (chassis recommended).
 - In places where it may interfere with the boat's operation.
- Install tapping screws in such a way that the screw tip does not touch any wire. This is important to prevent wires from being cut by vibration of the boat, which can result in fire.
- Make sure that wires do not get caught in the sliding mechanism or touch the legs of a person in the boat as short-circuit may result.

⚠ CAUTION

- Place all cables away from hot places, such as near the heater outlet.
- The optimal installation location differs depending on the boat model. Secure the amplifier at a sufficiently rigid location.
- Check all connections and systems before final installation.

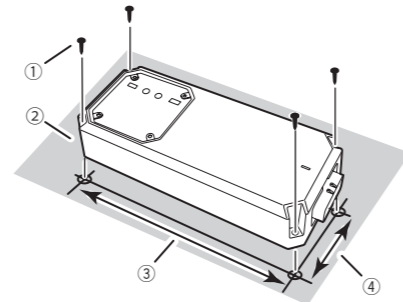
Example of installation on the chassis

1 Place the amplifier in the desired installation location.

Insert the supplied tapping screws (4 mm × 25 mm) into the screw holes and push on the screws with a screwdriver so they make an imprint where the installation holes are to be located.

2 Drill 2.5 mm (1/8 in.) diameter holes in the mounting surface.

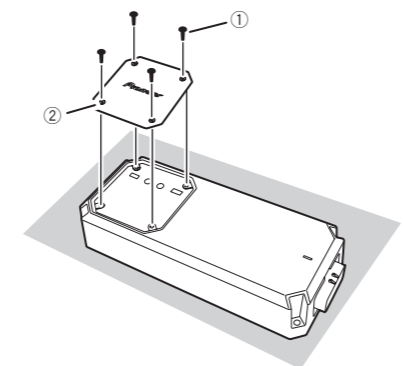
3 Install the amplifier with the use of supplied tapping screws (4 mm × 25 mm).



- ① Tapping-screws (4 mm × 25 mm) (5/32 in. × 1 in.)
- ② Installation surface
- ③ Hole-to-hole distance: 224.4 mm (8-27/32 in.)
- ④ Hole-to-hole distance: 86.4 mm (3-13/32 in.)

4 Attach the top panel cover.

Use the removed screws to attach the top panel cover (fastening torque 0.4 to 0.7 N·m). Attach the top panel cover in the same orientation as the main unit installation orientation.



- ① Screws
- ② Top panel cover

Additional information

Specifications

Power source	14.4 V DC (10.8 V to 15.1 V allowable)
Grounding system	Negative type
Current consumption	25 A (at continuous power, 4 Ω)
Average current consumption	5.6 A (4 Ω for one channel) 6.3 A (2 Ω for one channel)
Fuse	30 A
Dimensions (W × H × D) ..	243 mm × 46.8 mm × 105 mm (9-5/8 in. × 1-7/8 in. × 4-1/8 in.)
Weight	1.3 kg (2.9 lbs) (Leads for wiring not included)
Continuous power output ..	300 W × 1 (at 14.4 V, 4 Ω, 20 Hz to 240 Hz, ≤ 1 % THD) 300 W × 1 (at 14.4 V, 2 Ω, 100 Hz, ≤ 1 % THD)
Load impedance	4 Ω (2 Ω to 8 Ω allowable)
Frequency response	10 Hz to 240 Hz (+0 dB, -3 dB)
Signal-to-noise ratio	100 dB (IHF-A network)
Distortion	0.5 % (10 W)
Low pass filter:	
Cutoff frequency	20 Hz to 240 Hz
Cutoff slope	-12 dB/oct
Gain control:	
RCA	0.2 V to 6.5 V
Speaker	0.8 V to 16 V
Maximum input level / impedance:	
RCA	6.5 V / 25 kΩ
Speaker	16 V / 12 kΩ
Waterproof	JIS/IEC protection class 7 (IPX7) equivalent (self-certified)
Dustproof	JIS/IEC protection class 6 (IP6X) equivalent (self-certified)



CTA2006 Specifications



Power output	300 W RMS × 1 Channel (at 14.4 V, 4 Ω, 20 Hz to 240 Hz and ≤ 1 % THD+N)
S/N ratio	75 dBA (reference: 1 W into 4 Ω)

Accessories

- Power cable × 1
- Speaker line input RCA cable × 1
- Hexagonal wrench × 1
- Mounting screw (4 × 25 mm) × 4
- Supplied tool × 1

Notes

- Specifications and design are subject to modification without notice.
- The average current consumption is nearly the maximum current consumption by this unit when an audio signal is input. Use this value when working out total current consumption by multiple power amplifiers.

Avant de commencer

Nous vous remercions d'avoir acheté ce produit PIONEER.

Pour garantir une utilisation correcte, lisez bien ce mode d'emploi avant d'utiliser ce produit. Il est particulièrement important que vous lisiez et respectiez les indications **ATTENTION** et **PRÉCAUTION** de ce mode d'emploi. *Conservez-le dans un endroit sûr et facilement accessible pour toute consultation ultérieure.*

Service après-vente des produits Pioneer

Veillez contacter le revendeur Pioneer agréé auprès duquel vous avez acheté cet appareil ou une société de service Pioneer agréée pour le service après-vente ou les questions que vous pourriez avoir sur le produit. Vous pouvez contacter Pioneer directement comme suit : **N'expédiez pas votre appareil pour réparation sans avoir au préalable contacté Pioneer. Les appareils envoyés sans numéro d'autorisation de retour seront refusés.**

ÉTATS-UNIS ET CANADA

Pioneer Electronics (USA) Inc.
CUSTOMER SUPPORT DIVISION
P.O. Box 1760
Long Beach, CA 90801-1760 États-Unis
800-421-1404

Pour connaître les conditions de garantie, reportez-vous au document Garantie limitée qui accompagne cet appareil.

Visitez notre site Web

États-Unis :

<https://www.pioneerelectronics.com>

Canada :

<https://www.pioneerelectronics.ca>

- Informez-vous sur les mises à jour disponibles pour votre produit (telles que les mises à jour du firmware).
- Enregistrez votre produit.
- Accédez aux modes d'emploi, aux

informations relatives aux pièces de rechange et à l'entretien, et à beaucoup d'autres informations.

La protection de votre ouïe est entre vos mains

Pour assurer le rendement optimal de votre matériel et – plus important encore – la protection de votre ouïe, réglez le volume à un niveau raisonnable. Pour ne pas altérer votre sens de la perception, le son doit être clair mais ne produire aucun vacarme et être exempt de toute distorsion. Votre ouïe peut vous jouer des tours. Avec le temps, votre système auditif peut en effet s'adapter à des volumes supérieurs, et ce qui vous semble un « niveau de confort normal » pourrait au contraire être excessif et contribuer à endommager votre ouïe de façon permanente. Le réglage de votre matériel à un volume sécuritaire AVANT que votre ouïe s'adapte vous permettra de mieux vous protéger.

CHOISISSEZ UN VOLUME SÉCURITAIRE :

- Réglez d'abord le volume à un niveau inférieur.
- Montez progressivement le volume jusqu'à un niveau d'écoute confortable ; le son doit être clair et exempt de distorsions.
- Une fois que le son est à un niveau confortable, ne touchez plus au bouton du volume.

N'OUBLIEZ PAS DE RESPECTER LES DIRECTIVES SUIVANTES :

- Lorsque vous montez le volume, assurez-vous de pouvoir quand même entendre ce qui se passe autour de vous.
- Faites très attention ou cessez temporairement l'utilisation dans les situations pouvant s'avérer dangereuses.
- N'utilisez pas des écouteurs ou un casque d'écoute lorsque vous opérez un bateau ; une telle utilisation peut créer un danger pour la circulation et est illégale dans de nombreux endroits.

Avant de connecter/ d'installer l'amplificateur

ATTENTION


- Pour éviter tout risque d'incendie, le dissipateur thermique ne doit jamais être recouvert (par du papier ou des chiffons par exemple).
- Cet appareil est conçu pour être utilisé sur des bateaux équipés d'une batterie 12 V avec mise à la masse du négatif. Vérifiez la tension de la batterie avant l'installation.
- Lors de l'installation de cet appareil, veillez à d'abord connecter le fil de terre. Assurez-vous que le fil de terre est correctement connecté au circuit de masse négatif du bateau. Utilisez un fil électrique de qualité marine de calibre adéquat ayant une terminaison correcte pour utilisation marine pour établir une connexion directe à la barre omnibus négative. N'essayez pas de mettre l'amplificateur à la terre à l'aide des vis de montage.
- Utilisez un fil de batterie de qualité marine protégé par fusible (vendu séparément) de calibre adéquat ayant une terminaison correcte pour utilisation marine pour établir une connexion directe à la barre omnibus positive ou au système de distribution positif.
- Si la vis du fil de terre se desserre ou tombe, il peut en résulter un incendie, de la fumée ou un dysfonctionnement.**
- Utilisez toujours un fusible correspondant aux caractéristiques spécifiées. L'utilisation d'un fusible incorrect peut entraîner une surchauffe et de la fumée, des dommages au niveau du produit et des blessures, y compris des brûlures.
- Vérifiez toutes les connexions électriques et de signal (alimentation, masse, amplificateur, haut-parleur, etc.) en cas de rupture du fusible de l'amplificateur ou du fil de la batterie. Corrigez les connexions desserrées ou en court-circuit, puis remplacez le fusible grillé par un fusible de valeur identique.
- Installez toujours l'amplificateur sur une surface plane. N'installez pas l'amplificateur sur une surface qui n'est pas plane ou sur une surface présentant une saillie. Ceci pourrait entraîner un dysfonctionnement.
- Lors de l'installation de l'amplificateur, ne laissez pas des pièces telles que des vis supplémentaires se coincer entre l'amplificateur et le bateau. Ceci pourrait entraîner un dysfonctionnement.
- En cas d'anomalie, l'alimentation de l'amplificateur peut être coupée de manière à éviter tout dysfonctionnement de l'équipement. Dans ce cas, coupez l'alimentation du système et vérifiez toutes les connexions électriques et de signal (alimentation, masse, amplificateur, haut-parleur, etc.) pour vous assurer qu'elles ne sont pas desserrées ou en court-circuit. Si vous n'êtes pas en mesure de déterminer la cause, veuillez contacter votre revendeur.
- Déconnectez toujours la borne négative ⊖ de la batterie avant d'effectuer toute connexion électrique ou de signal de manière à éviter tout risque de choc électrique ou de court-circuit lors de l'installation.
- N'essayez pas de démonter ou de modifier cet appareil. Ceci pourrait provoquer un incendie, un choc électrique ou tout autre dysfonctionnement. Tout dommage ou défaut résultant d'altérations ou de modifications non autorisées par écrit par Pioneer est exclu de la couverture de garantie limitée.
- N'installez pas l'amplificateur dans un endroit exposé à la lumière directe du soleil ou à une chaleur, humidité ou poussière excessive.
- Bien que cet amplificateur soit conçu pour être résistant à l'eau, il ne doit jamais être immergé dans l'eau ou soumis à une pulvérisation d'eau à haute pression.
- Installez l'amplificateur dans un endroit sec et bien aéré, dans lequel aucun autre équipement n'interférera avec celui-ci.
- Lors du perçage de trous dans le châssis pour l'installation, veillez à ne pas toucher, endommager ou obstruer les tuyaux, les conduites de carburant, les réservoirs ou le câblage électrique. Le non-respect de ces précautions peut provoquer un incendie.
- Afin de garantir une dissipation de la chaleur correcte au niveau de l'amplificateur, vérifiez les points suivants lors de l'installation :
 - Laissez suffisamment d'espace au-dessus de l'amplificateur pour permettre une bonne ventilation.

Fr(2/9)

- Ne montez pas l'amplificateur dans le compartiment moteur ou dans des zones sensibles à une chaleur extrême.
- Ne couvrez pas l'amplificateur.

- Demandez à votre revendeur ou à un professionnel de l'installation d'installer/désinstaller ce produit. Une installation incorrecte peut créer des dangers ou interférer avec le fonctionnement du bateau.**
- Gardez les petits objets tels que les boulons, les vis et les outils hors de portée des enfants. Leur ingestion peut provoquer des blessures graves. En cas d'ingestion, consultez immédiatement un médecin.

PRÉCAUTION

- Maintenez le niveau d'écoute à une valeur telle que vous puissiez entendre les sons provenant de l'extérieur.
- L'utilisation prolongée de l'amplificateur lorsque le moteur est à l'arrêt ou au ralenti peut épuiser la batterie.
- Le symbole graphique  placé sur le produit signifie « courant continu ».
- Un ou plusieurs haut-parleurs d'extrêmes graves peuvent être connectés à cet amplificateur, mais ils doivent répondre à l'une des configurations suivantes :
 - Puissance nominale d'entrée combinée ou unique de 300 W ou plus si l'impédance nominale combinée ou unique est égale ou supérieure à 2 Ω.

ATTENTION : Si l'entrée et l'impédance nominales sont en dehors des plages ci-dessus, le ou les haut-parleurs d'extrêmes graves peuvent prendre feu, dégager de la fumée ou être endommagés. N'utilisez PAS l'amplificateur avec des configurations de haut-parleur d'extrêmes graves avec une impédance nominale combinée ou unique inférieure à 2 Ω.

À propos de la fonction de protection

Ce produit est doté d'une fonction de protection. Si ce produit détecte une anomalie, le voyant d'alimentation/protection s'allume en rouge et le fonctionnement de l'amplificateur s'arrête.

Les causes possibles incluent :

- Lorsque la température à l'intérieur du produit augmente
- En cas de détection d'une anomalie au niveau de la sortie des haut-parleurs
- Lorsque la tension d'alimentation est en dehors des spécifications

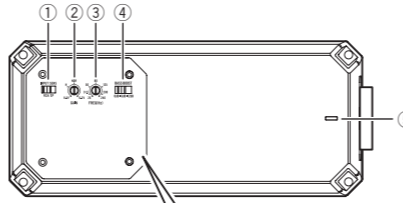
Important (Numéro de série)

Le numéro de série se trouve au bas de cet appareil. Veillez à noter ce numéro sur la carte de garantie fournie avant l'installation.

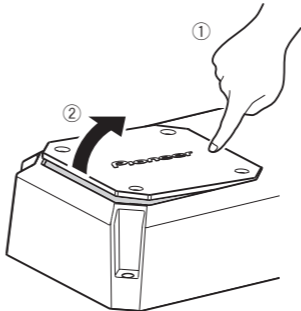
Réglage de l'appareil

Description de l'appareil

Côté supérieur

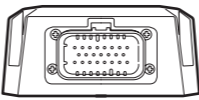


- Utilisez la clé fournie pour retirer les quatre vis et détacher le couvercle du panneau supérieur. Veillez à ne pas perdre les vis retirées.



- Utilisez un tournevis plat pour régler le commutateur si nécessaire.

Côté droit



- Commutateur INPUT SENS**
Sélectionnez **RCA** pour les signaux d'entrée de niveau RCA ou **SP** pour les signaux d'entrée de niveau haut-parleur.
- Volume GAIN**
Si la sortie reste faible même en augmentant le volume de l'appareil central, tournez

le volume **GAIN** vers un niveau plus faible (dans le sens horaire). En cas de distorsion lors de l'augmentation du volume de l'appareil central, tournez le volume **GAIN** vers un niveau plus élevé (dans le sens antihoraire).

- Procédez au réglage sur la position **NOR** (normal) pour l'utilisation avec un système stéréo équipé d'une sortie RCA (sortie standard de 500 mV). Pour l'utilisation avec un appareil central Pioneer équipé d'une sortie RCA dont la sortie maximale est de 4 V ou plus, réglez le niveau en fonction de celui de la sortie stéréo.
- Procédez au réglage sur la position **H** (élevé) pour l'utilisation avec un appareil central équipé d'une sortie RCA de 4 V.
- Si la quantité de parasites est trop importante lors de l'utilisation des bornes d'entrée des haut-parleurs, tournez la commande de gain à un niveau plus élevé.

③ **FREQ (Hz) (fréquence de coupure)**

Vous pouvez sélectionner une fréquence de coupure de 25 Hz à 240 Hz. Pour plus d'informations sur la fréquence précise, reportez-vous au *Tableau de sélection de fréquence précise*.

④ **Commutateur BASS BOOST**

Vous pouvez sélectionner un niveau d'accentuation des graves de 0 dB, 6 dB ou 12 dB.

⑤ **Voyant d'alimentation/protection**

- Le voyant d'alimentation s'allume en bleu pour indiquer la mise sous tension.
- Le voyant d'alimentation s'allume en rouge pour indiquer que le mode de protection a été activé.

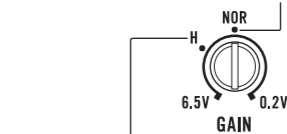
Fr(4/9)

Réglage correct du gain

- Une fonction de protection est incluse pour éviter tout dysfonctionnement de l'appareil et/ou des haut-parleurs lié à une sortie excessive ou à une utilisation ou une connexion incorrecte.
- Lors de l'émission de sons à haut volume, etc., cette fonction peut couper la sortie pendant quelques secondes comme fonctionnement normal. La sortie sera rétablie une fois le volume de l'appareil central baissé.
- Une coupure de la sortie son peut indiquer un réglage incorrect du volume de gain. Afin de garantir une émission sonore continue lorsque le volume de l'appareil central est élevé, réglez le volume de gain de l'amplificateur à un niveau adapté au niveau de sortie maximal de la sortie préamp de l'appareil central de manière à ce que le volume ne nécessite aucune modification et pour éviter la distorsion causée par l'écrêtage de la forme d'onde du signal à l'entrée de l'amplificateur.
- Même avec des réglages de volume et de gain corrects, le son de l'appareil peut être coupé régulièrement. Dans ce cas, veuillez contacter une société de service Pioneer agréée.

Volume de gain de l'appareil

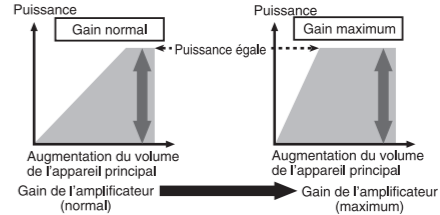
0,5 V (niveau de sortie préamp maximal = 2 V)



Niveau de sortie préamp maximal = 4 V

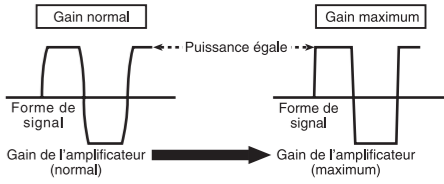
L'illustration ci-dessus représente le réglage de gain **NOR** (normal).

Relation entre le gain de l'amplificateur et la puissance de sortie de l'appareil central



Si le gain de l'amplificateur est augmenté de manière incorrecte, les distorsions augmentent sans que la puissance ne soit beaucoup plus importante.

Forme d'onde du signal lors de l'émission à volume élevé avec le volume de gain de l'amplificateur

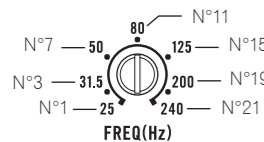


Si la forme d'onde du signal est distordue à cause d'une sortie élevée, la puissance de sortie ne sera que légèrement modifiée même en augmentant le gain de l'amplificateur.

Fr(5/9)

Tableau de sélection de fréquence précise

Les numéros dans l'illustration correspondent au nombre de pas.

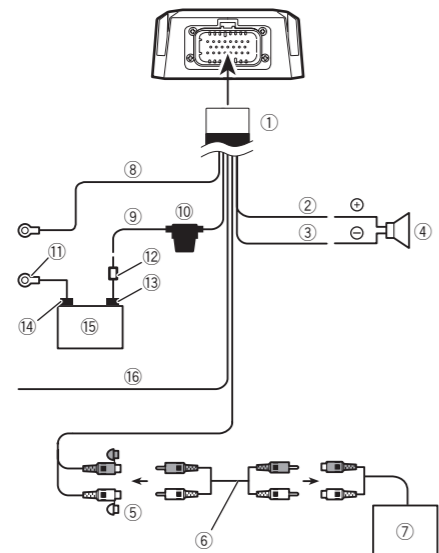


Nombre de pas	Fréquence (Hz)
1	25
2	28
3	31,5
4	36
5	40
6	45
7	50
8	56
9	63
10	71,5
11	80
12	90
13	100
14	113
15	125
16	143
17	160
18	180
19	200
20	225
21	240

Fr(6/9)

Connexion des appareils

Schéma de connexion



- ① Vers l'entrée du câble d'alimentation
- ② Blanc : ⊕
- ③ Blanc/noir : ⊖
- ④ Haut-parleur
- ⑤ Entrée RCA
- ⑥ Fil de connexion avec prises RCA (vendu séparément)
- ⑦ Appareil central avec jacks de sortie RCA (vendu séparément)
- ⑧ Noir (masse du châssis)
Connectez à un endroit métallique propre, non recouvert de peinture.
- ⑨ Rouge
- ⑩ Fusible (30 A)
- ⑪ Fil de terre, borne (vendu séparément)
Les fils de terre doivent être de la même taille que le fil de la batterie.
- ⑫ Fil de batterie avec fusible [plus de 30 A] (vendu séparément)
La longueur maximale du fil entre le fusible et la borne positive ⊕ de la batterie est de 30 cm.
- ⑬ Borne positive ⊕
- ⑭ Borne négative (⊖)
- ⑮ Batterie (vendue séparément)
- ⑯ Fil de la télécommande du système

Avant de connecter l'amplificateur

ATTENTION

- Fixez le câblage avec des serre-fils ou du ruban adhésif. Pour protéger le câblage, enroulez les sections en contact avec des pièces en métal dans du ruban adhésif.
- Ne découpez jamais l'isolation de l'alimentation pour alimenter d'autres équipements. La capacité en courant du fil est limitée.

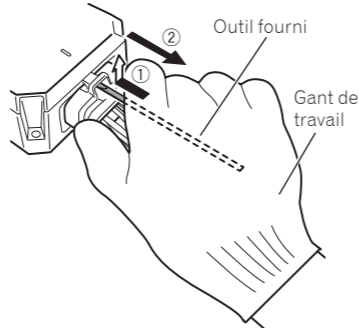
PRÉCAUTION

- Si le fil de la télécommande du système de l'amplificateur est connecté à la borne d'alimentation via le contact d'allumage (12 V CC), l'amplificateur reste sous tension que l'appareil central soit allumé ou non, ce qui peut épuiser la batterie lorsque le moteur est à l'arrêt ou au ralenti.
- Installez et positionnez le fil de batterie de qualité marine vendu séparément, le fil de terre de qualité marine, les fils des haut-parleurs et l'amplificateur aussi loin que possible de l'antenne radio, du câble d'antenne, du syntoniseur, de tout équipement de communication et du câblage.

Point de fixation/détachement du connecteur

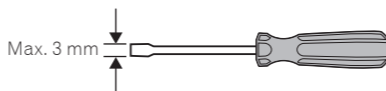
- Appuyez sur le connecteur jusqu'à ce que vous entendiez un dé clic, ce qui indique une connexion sécurisée.
- Comment retirer le connecteur :
(1) Insérez l'outil fourni dans la partie de verrouillage du connecteur.
(2) Soulevez doucement la languette de déverrouillage afin de séparer le connecteur.

Remarque: Tenter de retirer le connecteur de force ou en tirant le faisceau de câbles peut causer des dommages. Afin d'éviter toute blessure, utilisez un gant de travail pour aider à bien saisir l'outil.



Fr(7/9)

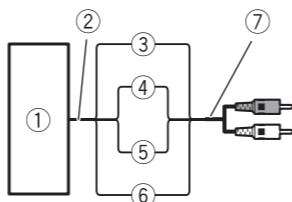
En cas de perte de l'outil fourni, utilisez un tournevis plat avec une pointe de 3 mm de largeur ou moins à la place.



Connexions lors de l'utilisation du fil d'entrée des haut-parleurs

Connectez les fils de sortie des haut-parleurs de l'appareil central à l'amplificateur à l'aide du fil d'entrée des haut-parleurs avec cordon RCA fourni.

- Assurez-vous que le commutateur INPUT SENS est réglé sur SP.



- ① Appareil central
- ② Sortie des haut-parleurs
- ③ Rouge : droite ⊕
- ④ Noir : droite ⊖
- ⑤ Noir : gauche ⊖
- ⑥ Blanc : gauche ⊕
- ⑦ Fil d'entrée des haut-parleurs avec cordon RCA
vers le jack d'entrée RCA de cet appareil

Remarque

- Si les fils d'entrée des haut-parleurs d'un appareil central sont connectés à cet amplificateur, l'amplificateur s'allume automatiquement lorsque l'appareil central est allumé. Lorsque l'appareil central est arrêté, l'amplificateur s'arrête automatiquement. Cette fonction peut ne pas fonctionner avec certains appareils centraux. Dans ce cas, assurez-vous que le canal gauche est correctement connecté. Si la fonction ne fonctionne toujours pas, utilisez un fil de la télécommande du système (vendu séparément). Si plusieurs amplificateurs doivent être connectés ensemble de manière synchrone, connectez l'appareil central et tous les amplificateurs via le fil de la télécommande du système.

Fr(8/9)

Installation

Avant d'installer l'amplificateur

ATTENTION

- Afin de garantir une installation correcte, utilisez les pièces fournies de la manière indiquée. Si vous utilisez des pièces autres que celles fournies, celles-ci risquent d'endommager des pièces internes de l'amplificateur ou peuvent se desserrer, ce qui entraînerait l'arrêt de l'amplificateur.
- N'installez pas :
 - Sur des surfaces pouvant devenir instables en cas d'arrêt soudain du bateau (châssis recommandé).
 - Dans des emplacements où il peut interférer avec le fonctionnement du bateau.
- Installez les vis autotaraudeuses de sorte que la pointe des vis n'entre en contact avec aucun fil. Cela est important pour éviter toute coupure des fils par les vibrations du bateau, ce qui pourrait entraîner un incendie.
- Assurez-vous que les fils ne sont pas coincés dans le mécanisme coulissant ou ne touchent pas les jambes d'une personne dans le bateau, car cela pourrait entraîner un court-circuit.

PRÉCAUTION

- Placez tous les câbles à l'écart des endroits chauds, par exemple les sorties de chauffage.
- L'emplacement d'installation optimal varie en fonction du modèle de bateau. Fixez l'amplificateur à un emplacement suffisamment rigide.
- Vérifiez toutes les connexions et tous les systèmes avant l'installation finale.

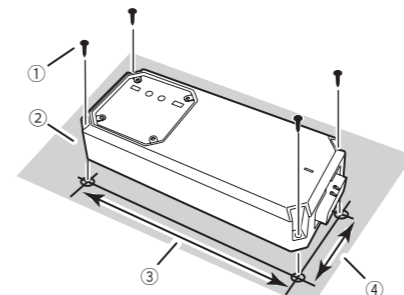
Exemple d'installation sur le châssis

1 Placez l'amplificateur à l'emplacement d'installation souhaité.

Insérez les vis autotaraudeuses fournies (4 mm × 25 mm) dans les trous de vis et appuyez sur les vis à l'aide d'un tournevis de manière à créer une empreinte de l'emplacement des trous d'installation.

2 Percez des trous de 2,5 mm de diamètre dans la surface de montage.

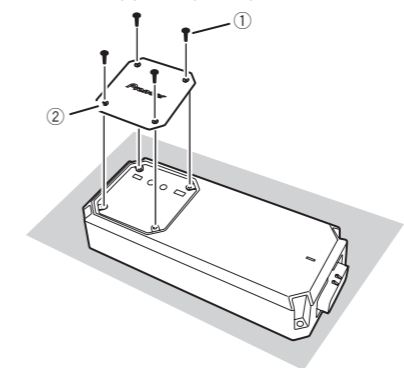
3 Installez l'amplificateur à l'aide des vis autotaraudeuses fournies (4 mm × 25 mm).



- ① Vis autotaraudeuses (4 mm × 25 mm)
- ② Surface d'installation
- ③ Distance entre les trous : 224,4 mm
- ④ Distance entre les trous : 86,4 mm

4 Fixez le couvercle du panneau supérieur.

Utilisez les vis retirées pour fixer le couvercle du panneau supérieur (couple de serrage de 0,4 à 0,7 N·m). Fixez le couvercle du panneau supérieur dans le même sens que le sens d'installation de l'appareil principal.



- ① Vis
- ② Couvercle du panneau supérieur

Fr(8/9)

Informations complémentaires

Caractéristiques techniques

Alimentation	14,4 V CC (10,8 V à 15,1 V acceptable)
Mise à la masse	Pôle négatif
Consommation électrique	25 A (à puissance continue, 4 Ω)
Consommation électrique moyenne	5,6 A (4 Ω par canal) 6,3 A (2 Ω par canal)
Fusible	30 A
Dimensions (L × H × P)	243 mm × 46,8 mm × 105 mm
Poids	1,3 kg
Puissance de sortie continue	300 W × 1 (à 14,4 V, 4 Ω, 20 Hz à 240 Hz, ≤ 1 % THD) 300 W × 1 (à 14,4 V, 2 Ω, 100 Hz, ≤ 1 % THD)
Impédance de charge	4 Ω (2 Ω à 8 Ω acceptable)
Réponse en fréquence	10 Hz à 240 Hz (+0 dB, -3 dB)
Rapport signal/bruit	100 dB (réseau IIF-A)
Distorsion	0,5 % (10 W)
Filter passe-bas :	
Fréquence de coupure	20 Hz à 240 Hz
Pente de coupure	-12 dB/octave
Commande de gain :	
RCA	0,2 V à 6,5 V
Haut-parleur	0,8 V à 16 V
Niveau d'entrée maximal/impédance :	
RCA	6,5 V / 25 kΩ
Haut-parleur	16 V / 12 kΩ
Résistance à l'eau	Indice de protection équivalent à JIS/IEC 7 (IPX7) (auto-certifié)
Résistance à la poussière	Indice de protection équivalent à JIS/IEC 6 (IP6X) (auto-certifié)



Caractéristiques CTA2006



Puissance de sortie	300 W RMS × 1 canal (à 14,4 V, 4 Ω, 20 Hz à 240 Hz et ≤ 1 % THD+N)
Rapport S/B	75 dBa (référence : 1 W dans 4 Ω)

Accessoires

- Câble d'alimentation × 1
- Câble RCA d'entrée de ligne de haut-parleur × 1
- Clé hexagonale × 1
- Vis de montage (4 × 25 mm) × 4
- Outil fourni × 1

Remarques

- Les caractéristiques et la présentation peuvent être modifiées sans avis préalable.
- La consommation électrique moyenne correspond quasiment à la consommation électrique maximale de cet appareil lors de l'entrée d'un signal audio. Utilisez cette valeur lors du calcul de la consommation électrique maximale de plusieurs amplificateurs.

Fr(9/9)

Antes de comenzar

Gracias por haber adquirido este producto PIONEER

Lea con detenimiento este manual antes de usar el producto. Es especialmente importante que usted lea y observe con detenimiento las **ADVERTENCIAS** y **PRECAUCIONES** de este manual. *Mantenga este manual en un lugar seguro y accesible para poder consultarlo en el futuro.*

Servicio posventa para productos Pioneer

Póngase en contacto con el distribuidor oficial de Pioneer al que usted adquirió esta unidad o a un centro de asistencia oficial de Pioneer si necesita un servicio posventa o tiene alguna consulta acerca del producto. Puede contactar directamente con Pioneer de la siguiente manera:

No envíe su unidad a reparar sin primero contactar con Pioneer. Las unidades enviadas sin número de autorización de retorno serán rechazadas.

EE. UU. Y CANADÁ

Pioneer Electronics (USA) Inc.
CUSTOMER SUPPORT DIVISION
P.O. Box 1760
Long Beach, CA 90801-1760 EE. UU.
800-421-1404

Para obtener información sobre la garantía, véase la hoja de Garantía limitada adjunta a este producto.

Visite nuestro sitio Web

EE. UU.:

<https://www.pioneerelectronics.com>

Canadá:

<https://www.pioneerelectronics.ca>

- Infórmese de las últimas actualizaciones (por ejemplo, actualizaciones de firmware) para su producto.
- Registre su producto.
- Acceso a manuales de instrucciones, información sobre piezas de recambio y mucho más.

Antes de conectar/instalar el amplificador

⚠ ADVERTENCIA

- Para prevenir un peligro de incendio, no hay que cubrir nunca el disipador térmico (con papel, materiales, etc.).
- Esta unidad es para embarcaciones con una batería de 12 V y conexión a tierra negativa. Antes de la instalación, revise el voltaje de la batería.
- Cuando instale esta unidad, asegúrese de conectar primero el cable de puesta a tierra. Asegúrese de que el cable de puesta a tierra esté debidamente conectado al circuito de tierra negativa de la embarcación. Utilice el calibrador adecuado, cables eléctricos de grado marino debidamente terminados para uso marino, para realizar una conexión directa a la barra colectora negativa o al sistema de distribución de tierra negativa. No intente conectar a tierra el amplificador usando los tornillos de montaje.
- Utilice cables de batería de grado marino con fusible (se vende por separado) para un calibrador adecuado debidamente terminado para uso marino, para realizar una conexión directa a la barra colectora positiva o al sistema de distribución positiva.
- **Si el tornillo del cable de puesta a tierra se afloja o se desprende, podría provocar un incendio, la generación de humo o un mal funcionamiento.**
- Utilice siempre un fusible de la corriente nominal indicada. El uso de un fusible inadecuado podría provocar sobrecalentamiento y humo, daños personales y al producto, lesiones e incluso quemaduras.
- Revise todas las señales eléctricas y de conexiones (alimentación, tierra, amplificador, altavoz, etc.) por si se fundiese el fusible del amplificador o del cable de la batería. Revise si hay conexiones sueltas o cortocircuitos, y reemplace el fusible fundido por uno equivalente de la corriente nominal indicada.
- El amplificador debe instalarse en una superficie plana. No instale el amplificador en una superficie que no sea plana o con protuberancias. Puede resultar en un funcionamiento defectuoso.
- Cuando instale el amplificador, no deje que ninguna pieza o tornillo extra queden


atrapados entre el amplificador y la embarcación. De lo contrario, puede producirse un fallo en su funcionamiento.

- Ante cualquier anomalía, la fuente de alimentación del amplificador se desconecta para evitar averías en el equipo. Si esto ocurre, apague el sistema de alimentación de energía y revise todas las conexiones de señal y eléctricas (alimentación, tierra, amplificador, altavoces, etc.) por si están sueltas o hay cortocircuitos. Si no le es posible determinar la causa, contacte con su distribuidor.
- Desconecte siempre primero el terminal negativo \ominus de la batería antes de realizar conexiones eléctricas o de señal para evitar riesgos de descarga eléctrica o un cortocircuito durante la instalación.
- No intente desarmar o modificar esta unidad. De lo contrario, podría provocar un incendio, una descarga eléctrica u otros fallos en el funcionamiento. Los daños o defectos que se produzcan como consecuencia de alteraciones o modificaciones no autorizadas por escrito por Pioneer quedarán excluidos de la cobertura de garantía limitada.
- No instale el amplificador en un lugar expuesto a la luz solar directa, al calor excesivo, a la humedad o al polvo.
- Si bien este amplificador está diseñado para ser resistente al agua, no debe sumergirse nunca bajo el agua o someterse a un chorro de agua a alta presión.
- Instale el amplificador en un ambiente seco y bien ventilado, donde otros aparatos no interfieran en él.
- Cuando, durante la instalación, taladre los agujeros en el chasis, procure no hacer contacto, dañar u obstruir tuberías, conductos de combustible o cableado eléctrico. Si no se toman estas precauciones, puede producirse un incendio.
- Para garantizar una disipación térmica adecuada del amplificador, asegúrese de lo siguiente durante la instalación:
 - Deje suficiente espacio sobre el amplificador para que la ventilación sea adecuada.
 - No monte el amplificador en el compartimento del motor o en cualquier zona de calor excesivo.
 - No cubra el amplificador.
- **Solicite a su distribuidor o profesional de la instalación que instale/desinstale este producto. Una**

instalación incorrecta puede crear peligros o interferir con el funcionamiento de la embarcación.

- Mantenga los artículos pequeños como pernos, tornillos y herramientas fuera del alcance de los niños. Si se ingieren, pueden causar lesiones graves. Si se ingieren, consulte con un médico inmediatamente.

⚠ PRECAUCIÓN

- Mantenga siempre el volumen lo suficientemente bajo como para poder escuchar los sonidos que provienen del exterior.
- El uso prolongado del amplificador mientras el motor permanece inactivo o en marcha al ralentí puede agotar la batería.
- El símbolo gráfico  colocado en el producto significa corriente continua.
- Se pueden conectar uno o más subwoofers a este amplificador, pero deben coincidir con la siguiente configuración:
 - Potencia nominal de entrada de alimentación combinada o individual de 300 W o mayor, si la impedancia nominal combinada o individual es igual o mayor a 2 Ω .

ADVERTENCIA: Si la entrada y la impedancia nominales no concuerdan con los datos anteriores, los subwoofers pueden incendiarse, emitir humo o dañarse. NO UTILIZAR el amplificador con configuraciones de subwoofer con impedancia combinada o individual menor a 2 Ω .

Acerca de la función de protección

Este producto tiene una función de protección. Si el producto detecta una anomalía, el indicador de encendido/protección cambiará a rojo y se interrumpirá el funcionamiento del amplificador. Las posibles causas incluyen:

- Cuando sube la temperatura dentro del producto
- Cuando la salida del altavoz detecta una anomalía
- Cuando el suministro de voltaje está fuera de la especificación

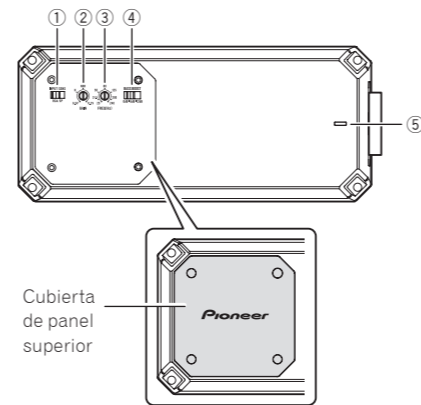
👤 Importante (número de serie)

El número de serie se encuentra debajo de esta unidad. Asegúrese antes de tomar nota de este número en la tarjeta de garantía adjunta.

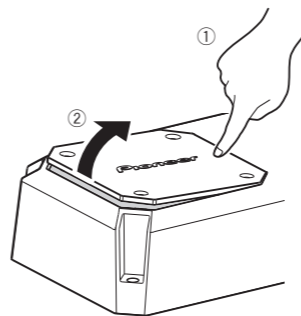
Configuración de la unidad

Qué es cada cosa

Parte superior

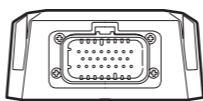


- Utilice la llave suministrada para retirar los cuatro tornillos y desmontar la cubierta del panel superior. Asegúrese de no perder los tornillos retirados.



- Use un destornillador de cabeza plana para ajustar el interruptor si es necesario.

Lado derecho



- 1 **Interruptor INPUT SENS**
Seleccione **RCA** para las señales de entrada de nivel RCA o **SP** para las señales de entrada de nivel de altavoz.
- 2 **Volumen GAIN**
Si la salida permanece baja, incluso

cuando se sube el volumen de la unidad central, baje el volumen de GAIN (sentido horario). Si se produce una distorsión cuando se sube el volumen de la unidad central, suba el volumen de GAIN (sentido antihorario).

- Para el uso con un equipo estéreo provisto de RCA (salida estándar de 500 mV), debe colocarse en la posición **NOR** (normal). Para el uso con una unidad central Pioneer equipada con RCA, con una salida máxima de 4 V o más, ajuste el nivel para que coincida con el de la salida estéreo.
- Para el uso con una unidad central provisto de RCA con una salida de 4 V, debe colocarse en la posición **H** (alta).
- Si se oye ruido excesivo cuando se usan los terminales de entrada de altavoz, gire el control de ganancia a un nivel superior.

3 **FREQ (Hz) (frecuencia de corte)**

Puede seleccionar una frecuencia de corte desde los 25 Hz hasta los 240 Hz. Para obtener información precisa de la frecuencia, consulte la *Tabla de selección de frecuencias precisas*.

4 **Interruptor BASS BOOST**

Se puede seleccionar el nivel de intensificación de graves entre 0 dB, 6 dB y 12 dB.

5 **Indicador de encendido/protección**

El indicador de encendido se ilumina en azul para indicar que está activado (ON).

- El indicador de encendido se ilumina en rojo para indicar que el modo de protección se ha activado.

Configuración correcta de la ganancia

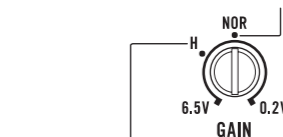
- Se incluye una función de protección incluida para evitar posibles fallos en la unidad y/o altavoces debido a una salida excesiva, al uso indebido o a una conexión inadecuada.
- Al reproducir sonidos demasiado altos, etc., esta función puede interrumpir la reproducción durante unos segundos como una función normal, y retoma la reproducción cuando se baja el volumen de la unidad central.
- Un corte en la salida del sonido puede significar un ajuste inadecuado del volumen de ganancia. Para asegurar una salida continua del sonido, con la unidad central a un volumen alto, ajuste el volumen de ganancia del amplificador a un nivel apropiado para el

nivel previo máximo de salida de la unidad, de forma que el volumen permanezca sin cambios y para evitar distorsiones causadas por un recorte en la forma de onda de la señal en la entrada del amplificador.

- Incluso con ajustes de volumen y ganancia correctos, el sonido de la unidad puede cortarse periódicamente. En estos casos, contacte con un centro de asistencia oficial de Pioneer.

Volumen de ganancia de esta unidad

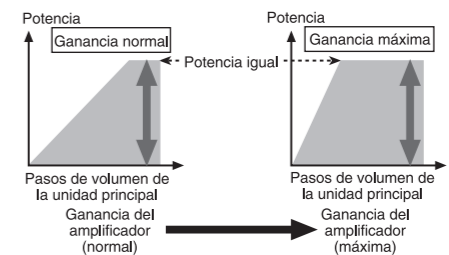
0,5 V (nivel previo máximo de salida = 2 V)



Nivel previo máximo de salida = 4 V

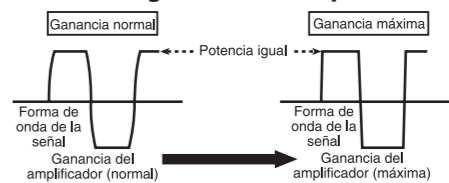
La imagen anterior muestra un ajuste de ganancia **NOR** (normal).

Relación entre ganancia del amplificador y corriente de salida de la unidad central



Si la ganancia del amplificador se aumenta incorrectamente, sólo incrementará la distorsión, con un ligero aumento de la potencia.

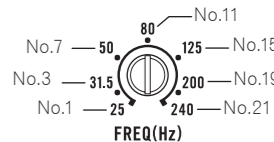
Forma de onda de la señal con una salida de volumen alto utilizando el volumen de ganancia del amplificador



Si la forma de onda de la señal se distorsiona debido a una salida demasiado alta, incluso si se aumenta la ganancia del amplificador, la potencia de salida solo se modificará ligeramente.

Tabla de selección de frecuencias precisas

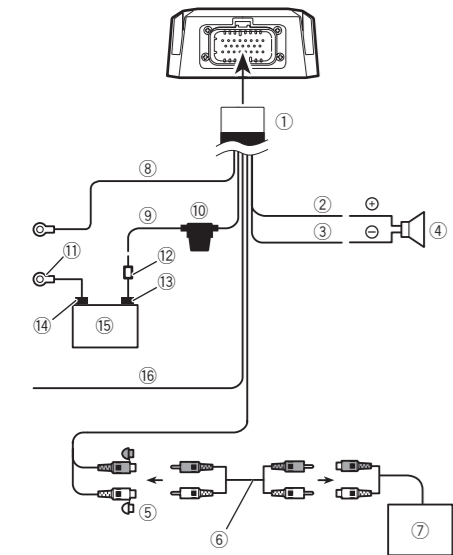
Los números de la ilustración corresponden al número de paso.



Número de paso	Frecuencia (Hz)
1	25
2	28
3	31,5
4	36
5	40
6	45
7	50
8	56
9	63
10	71,5
11	80
12	90
13	100
14	113
15	125
16	143
17	160
18	180
19	200
20	225
21	240

Conexión de las unidades

Diagrama de conexión



- ① A la entrada del cable de alimentación
- ② Blanco: ⊕
- ③ Blanco/negro: ⊖
- ④ Altavoz
- ⑤ Entrada RCA
- ⑥ Cable de conexión con conectores de terminal RCA (se vende por separado)
- ⑦ Unidad central con tomas de salida RCA (se vende por separado)
- ⑧ Negro (tierra de chasis)
Conectar a un sitio metálico limpio y libre de pintura.
- ⑨ Rojo
- ⑩ Fusible (30 A)
- ⑪ Cable de puesta a tierra, terminal (se vende por separado)
El cable de puesta a tierra debe ser de la misma medida que el cable de la batería.
- ⑫ Cable de batería con fusible [más de 30 A] (se vende por separado)
La longitud máxima del cable entre el fusible y el terminal positivo ⊕ de la batería es de 30 cm.
- ⑬ Terminal ⊕ positivo
- ⑭ Terminal ⊖ negativo
- ⑮ Batería (se vende por separado)
- ⑯ Cable de control remoto del sistema

Antes de conectar el amplificador

⚠ ADVERTENCIA

- Asegure el cableado con abrazaderas para cables o cinta adhesiva. Para proteger el cableado, envuelva con cinta adhesiva las partes que estén en contacto con piezas metálicas.
- Nunca corte el aislamiento de la fuente de alimentación para suministrar energía a otros equipos. La capacidad de corriente del cable es limitada.

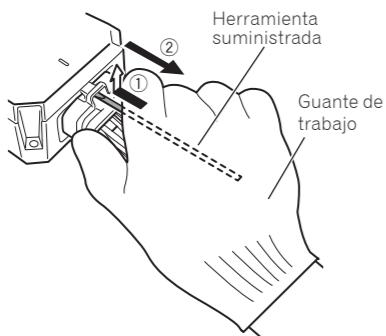
⚠ PRECAUCIÓN

- Si el cable del control remoto del sistema del amplificador está conectado a un terminal de alimentación a través de la llave de encendido (12 V CC), el amplificador permanecerá activo tanto si la unidad central está apagada como encendida, lo que puede agotar la batería si el motor permanece inactivo o en marcha al ralentí.
- Instale y tienda el cable de batería de grado marino vendido por separado, el cable de puesta a tierra de grado marino, los cables de los altavoces y el amplificador lo más lejos posible de la antena de radio, el cable de la antena, el sintonizador y cualquier equipo de comunicaciones y cableado.

El punto de acoplamiento/desacoplamiento del conector

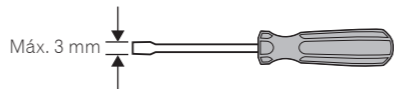
- Empuje el conector hasta oír un clic, lo cual confirma una conexión segura.
- Cómo retirar el conector:
(1) Inserte la herramienta suministrada en la parte de bloqueo del conector.
(2) Levante suavemente la lengüeta de bloqueo de liberación para separar el conector.

Nota: Si intenta retirar el conector por la fuerza o tirar del arnés de cables puede causar daños. Para evitar lesiones, use un guante de trabajo como ayuda para la sujeción de la herramienta.



- Continúe en la página 6/8 -

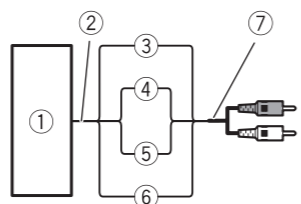
Si pierde la herramienta suministrada, use un destornillador plano con un ancho de punta de 3 mm o menos como sustituto.



Conexiones al utilizar el cable de entrada del altavoz

Conecte los cables de salida de los altavoces de la unidad central al amplificador mediante el cable de entrada del altavoz suministrado con un cable de clavijas RCA.

- Asegúrese de conmutar el interruptor **INPUT SENS** a **SP**.



- ① Unidad central
- ② Salida del altavoz
- ③ Rojo: Derecha ⊕
- ④ Negro: Derecha ⊖
- ⑤ Negro: Izquierda ⊖
- ⑥ Blanco: Izquierda ⊕
- ⑦ Cable de entrada de altavoz con cable de clavijas RCA a la toma de entrada RCA de esta unidad

Nota

- Si los cables de entrada del altavoz de una unidad central están conectados a este amplificador, el amplificador se encenderá automáticamente cuando se encienda la unidad central. Cuando se apague la unidad central, el amplificador se apagará automáticamente. Es posible que esta función no funcione con algunas unidades centrales. En esos casos, asegúrese de que el canal L esté conectado correctamente. Si la función sigue sin funcionar, utilice un cable de control a distancia del sistema (se vende por separado). Si se deben conectar varios amplificadores juntos de forma sincronizada, conecte la unidad central con todos los amplificadores mediante el cable de control remoto del sistema.

Instalación

Antes de instalar el amplificador

⚠ ADVERTENCIA

- Para garantizar una instalación correcta, utilice las piezas facilitadas del modo indicado. El uso de otras piezas diferentes a las facilitadas puede dañar partes internas del amplificador o pueden aflojarse y hacer que este se apague.
- No instalar:
 - En superficies que puedan soltarse si la embarcación se detiene repentinamente (se recomienda el chasis).
 - En lugares donde pueda interferir con el funcionamiento de la embarcación.

- Instale los tornillos de rosca cortante de tal manera que la punta del tornillo no toque ningún cable. Esto es importante para evitar que los cables se corten por la vibración de la embarcación lo que puede provocar un incendio.
- Asegúrese de que los cables no queden atrapados en el mecanismo de deslizamiento ni toquen las piernas de los pasajeros en una embarcación ya que esto podría producir un cortocircuito.

⚠ PRECAUCIÓN

- Coloque todos los cables alejados de lugares calientes, como cerca de la salida del calefactor.
- La ubicación óptima de instalación difiere según el modelo de embarcación. Asegure el amplificador en un lugar suficientemente rígido.
- Compruebe todas las conexiones y sistemas antes de la instalación final.

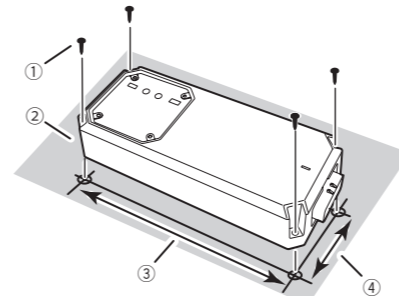
Ejemplo de instalación en el chasis

1 Coloque el amplificador en el lugar de instalación deseado.

Inserte los tornillos de rosca cortante facilitados (4 mm × 25 mm) en los orificios correspondientes y apriételos con un destornillador de manera que dejen una marca donde se vayan a perforar los orificios de instalación.

2 Taladre agujeros de 2,5 mm de diámetro en la superficie de montaje.

3 Instale el amplificador utilizando los tornillos de rosca cortante facilitados (4 mm × 25 mm).

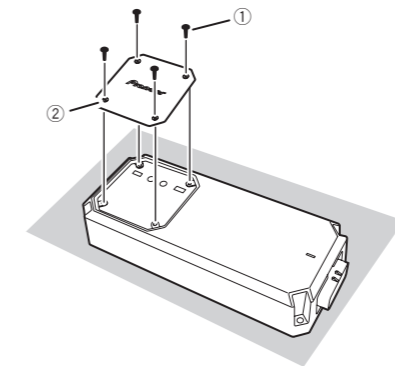


- ① Tornillos de rosca cortante (4 mm × 25 mm)
- ② Superficie de instalación
- ③ Distancia de agujero a agujero: 224,4 mm
- ④ Distancia de agujero a agujero: 86,4 mm

4 Coloque la cubierta del panel superior.

Utilice los tornillos retirados para sujetar la cubierta del panel superior (par de apriete: 0.4 a 0.7 N·m).

Coloque la cubierta del panel superior en la misma orientación que la instalación de la unidad principal.



- ① Tornillos
- ② Cubierta del panel superior

Información adicional

Especificaciones

Fuente de alimentación	14,4 V CC (10,8 V a 15,1 V permisible)
Sistema de derivación a tierra	Tipo negativo
Consumo de corriente	25 A (en alimentación continua, 4 Ω)
Consumo de corriente promedio	5,6 A (4 Ω para un canal)
.....	6,3 A (2 Ω para un canal)
Fusible	30 A
Dimensiones (An × Al × Pr)	243 mm × 46,8 mm × 105 mm
Peso	1,3 kg (conectores para cableado no incluidos)
Salida de alimentación continua	300 W × 1 (a 14,4 V, 4 Ω, 20 Hz a 240 Hz, ≤ 1 % THD)
.....	300 W × 1 (a 14,4 V, 2 Ω, 100 Hz, ≤ 1 % THD)
Impedancia de carga	4 Ω (2 Ω a 8 Ω permisible)
Respuesta de frecuencia... ..	10 Hz a 240 Hz (+0 dB, -3 dB)
Relación de señal a ruido	100 dB (red IHF-A)
Distorsión	0,5 % (10 W)
Filtro de paso bajo:	
Frecuencia de corte	20 Hz a 240 Hz
Pendiente de corte	-12 dB/oct
Control de ganancia:	
RCA	0,2 V a 6,5 V
Altavoz	0,8 V a 16 V
Nivel de entrada máximo / impedancia:	
RCA	6,5 V / 25 kΩ
Altavoz	16 V / 12 kΩ
Impermeable.....	Protección JIS/IEC equivalente a clase 7 (IPX7) (autocertificado)
Resistente al polvo	Protección JIS/IEC equivalente a clase 6 (IP6X) (autocertificado)



Especificaciones CTA2006



Salida de alimentación..... 300 W RMS × 1 canal (a 14,4 V, 4 Ω, 20 Hz a 240 Hz y ≤ 1 % THD+N)

Relación de señal a ruido

..... 75 dBA (referencia: 1 W a 4 Ω)

Accesorios

- Cable de alimentación × 1
- Cable RCA de entrada de línea de altavoces × 1
- Llave hexagonal × 1
- Tornillos de montaje (4 × 25 mm) × 4
- Herramienta suministrada × 1

Notas

- Las especificaciones y el diseño están sujetos a modificaciones sin previo aviso.
- El consumo de corriente promedio es cercano al consumo máximo de corriente de esta unidad cuando está conectada a una señal de sonido de entrada. Utilice este valor cuando funcione a un consumo de corriente total por medio de varios amplificadores alimentados.

