



CD RDS RECEIVER  
AUTORADIO CD RDS  
REPRODUCTOR DE CD CON RECEPTOR RDS

# DEH-S1200UB

## Quick start guide Guide de démarrage rapide Guía de inicio rápido

- Important (Serial number)**  
The serial number is located on the bottom of this unit. For your own security and convenience, be sure to record this number on the enclosed warranty card.
- Important (Número de serie)**  
El número de serie se encuentra en la parte inferior de esta unidad. Por su propia seguridad y comodidad, asegúrese de anotar este número en la tarjeta de garantía que se adjunta.

QRD3768-A

### DIN mount installation

- 1 Insert the supplied mounting sleeve into the dashboard.
- 2 Secure the mounting sleeve by using a screwdriver to bend the metal tabs (90°) into place.

Removing the unit (installed with the supplied mounting sleeve)

- 1 Remove the trim ring.

- 1 Trim ring
- 2 Mounting screw
- 3 Dashboard or console

- 1 Dashboard
- 2 Mounting sleeve
- 3 Make sure that the unit is installed securely in place. An unstable installation may cause skipping or other malfunctions.

When not using the supplied mounting sleeve

- 1 Determine the appropriate position where the holes on the bracket and the side of the unit match.

- 1 Screw
- 2 Mounting bracket
- 3 Dashboard or console

- 1 Tighten the screws on each side.

- 1 Screw
- 2 Mounting bracket
- 3 Dashboard or console

- 1 Use either torsx (5 mm x 9 mm) or flush surface (5 mm x 9 mm) screws, depending on the bracket screw holes.

This guide is intended to guide you through the basic functions of this unit. For details, please refer to the Operation manual stored on the website. <https://www.pioneerelectronics.com/PUSA/Support>

### Before You Start

Thank you for purchasing this PIONEER product. To ensure proper use, please read through this guide before using this product. It is especially important that you read and observe **WARNINGS** and **CAUTIONS** in this guide. Please keep this guide in a safe and accessible place for future reference.

This device complies with part 15 of the FCC Rules. Operation is subject to the following two conditions: (1) This device may not cause harmful interference, and (2) this device must accept any interference received, including interference that may cause undesired operation.

Alteration or modifications carried out without appropriate authorization may invalidate the user's right to operate the equipment.

**Note**  
This equipment has been tested and found to comply with the limits for a Class B digital device, pursuant to Part 15 of the FCC Rules. These limits are designed to provide reasonable protection against harmful interference in a residential installation. This equipment generates, uses and can radiate radio frequency energy and, if not installed and used in accordance with the instructions, may cause harmful interference to radio communications. However, there is no guarantee that interference will not occur in a particular installation. If this equipment does cause harmful interference to radio or television reception, which can be determined by turning the equipment off and on, the user is encouraged to try to correct the interference by one or more of the following measures:  
- Reorient or relocate the receiving antenna.  
- Increase the separation between the equipment and receiver.  
- Connect the equipment into an outlet on a circuit different from that to which the receiver is connected.  
- Consult the dealer or an experienced radio/TV technician for help.

**FEDERAL COMMUNICATIONS COMMISSION SUPPLIER'S DECLARATION OF CONFORMITY**  
Product Name: CD RDS RECEIVER  
Model Number: DEH-S1200UB  
Responsible Party Name: PIONEER ELECTRONICS (USA), INC. SERVICE SUPPORT DIVISION  
Address: 2050 W. 190TH STREET, SUITE 100 TORRANCE, CA 90504, U.S.A.  
Phone: 1-310-925-2913  
URL: <http://www.pioneerelectronics.com>

**The Safety of Your Ears is in Your Hands**  
Get the most out of your equipment by playing it at a safe level—a level that lets the sound come through clearly without annoying blaring or distortion and, most importantly, without affecting your sensitive hearing. Sound can be deceiving.  
Over time, your hearing "comfort level" adapts to higher volumes of sound, so what sounds "normal" can actually be loud and harmful to your hearing. Guard against this by setting your equipment at a safe level: **RECOMMEND YOUR HEARING AID.**

**ESTABLISH A SAFE LEVEL:**  
- Set your volume control at a low setting.  
- Slowly increase the sound until you can hear it comfortably and clearly, without distortion.  
- Once you have established a comfortable sound level, set the dial and leave it there.

**BE SURE TO OBSERVE THE FOLLOWING GUIDELINES:**  
- Do not turn up the volume too high that you can't hear what's around you.  
- Use caution or temporarily discontinue use in potentially hazardous situations.  
- Do not use headphones while operating a motorized vehicle; the use of headphones may create a safety hazard and is illegal in many areas.

**WARNINGS**  
- Rear visibility systems (backup cameras) are required in certain new vehicles sold in the U.S. and Canada. U.S. regulations began applying to a two year phase-in on May 1, 2016, and both the U.S. and Canada require that all such vehicles manufactured on or after May 1, 2018 have rear visibility systems. **Owners of vehicles equipped with compliant rear visibility systems should not install or use this product in a way that alters or disables that system.** If you are unsure whether your vehicle has a rear visibility system subject to the U.S./Canada regulations, please contact the vehicle manufacturer or dealer.  
- **Do not attempt to install or service this product by yourself. Installation or servicing of this product by persons without training and experience in electronic equipment and automotive accessories may be dangerous and could expose you to the risk of electric shock, injury or other hazards.**  
- Do not attempt to repair the unit while driving. Make sure to pull off the road and park your vehicle in a safe location before attempting to use the controls on the device.  
- This product contains chemicals known to the State of California and other governmental entities to cause cancer and birth defects or other reproductive harm. **Wash hands after handling.**

**U.S.A. and CANADA**  
Pioneer Electronics (USA) Inc.  
CUSTOMER SUPPORT DIVISION  
P.O. Box 1760  
Long Beach, CA 90801-1760  
800-421-1664

For warranty information please see the Limited Warranty sheet included with this unit.

### About the main menu

You can adjust various settings in the main menu.

- 1 Press the **M.C.** dial to display the main menu.
- 2 Turn the **M.C.** dial to select one of the categories below, then press to confirm.
  - FUNCTION settings
  - AUDIO settings
  - SYSTEM settings
  - ILLUMINATION settings
- 3 Turn the **M.C.** dial to select the options, then press to confirm.

**CAUTION**  
Do not allow this unit to come into contact with moisture and/or liquids. Electrical shock could result. Also, damage to this unit, smoke, and overheating could result from contact with liquids.  
- Always keep the volume low enough to hear outside sounds.  
- This product is evaluated in moderate and tropical climate condition under the Audio, video and similar electronic apparatus - Safety requirements, IEC 60955.

**CAUTION**  
This product is a Class 1 laser product classified under the safety standard, IEC 60825-1:2014.

**USE OF CONTROL OR ADJUSTMENT OR PERFORMANCE OF PROCEDURES OTHER THAN THOSE SPECIFIED HEREIN MAY RESULT IN HAZARDOUS RADIATION EXPOSURE.**  
**CAUTION: THE USE OF OPTICAL INSTRUMENTS WITH THIS PRODUCT WILL INCREASE EYE HAZARD.**

**After-sales service for Pioneer products**  
Please contact the dealer/distributor from where you purchased this unit or the authorized PIONEER Service for after-sales service or any other information. In case the necessary information is not available, please contact the companies listed below. Please do not ship your unit to the companies at the addresses listed below for repair without contacting them in advance.

**U.S.A. and CANADA**  
Pioneer Electronics (USA) Inc.  
CUSTOMER SUPPORT DIVISION  
P.O. Box 1760  
Long Beach, CA 90801-1760  
800-421-1664

For warranty information please see the Limited Warranty sheet included with this unit.

### Connections

**WARNING**  
- When speaker output is used by 4 channels, use speakers rated over 50 W (maximum input power) and between 4 Ω to 8 Ω (impedance value). Do not use 1 Ω or Ω speakers for this unit.  
- When rear speaker output is used by a 2-subwoofer, use speakers rated for over 20 W.  
- Please refer to connections for a connection method.

- The black cable is ground. When installing this unit or power amp (sold separately), make sure to connect the ground wire first. Ensure that the ground wire is properly connected to metal parts of the car's body. The ground wire of the power amp and the one of this unit or any other device must be connected to the car separately with different screws. If the screw for the ground wire loosens or falls out, it could result in fire, generation of smoke or malfunction.

Two devices connected to the car separately (ground wires)

\* Not supplied for this unit

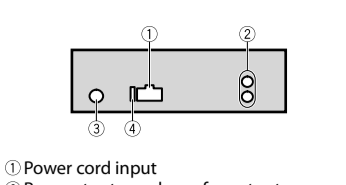
**Important**  
- When installing this unit in a vehicle without an ACC (accessory position) on the ignition switch, failure to connect the red cable to the terminal that detects operation of the ignition key may result in battery drain.

ACC position No ACC position

- Use this unit with a 12-Volt battery and negative grounding only. Failure to do so may result in a fire or malfunction.  
- To prevent a short-circuit, overheating or malfunction, be sure to follow the directions below.  
- Disconnect the negative terminal of the battery before installation.  
- Secure the wiring with cable clamps or adhesive tape. Wrap adhesive tape around wiring that comes into contact with metal parts to protect the wiring.  
- Place all cables away from moving parts, such as the shift lever and seat rails.  
- Place all cables away from hot places, such as near the heater outlet.  
- Do not connect the yellow cable to the battery by passing it through the hole of the engine compartment.  
- Cover any disconnected cable connectors with insulating tape.  
- Do not shorten any cables.  
- Never cut the insulation of the power cable of this unit in order to share the power with other devices. The current capacity of the cable is limited.  
- Use a fuse of the rating prescribed.  
- Never wire the negative speaker cable directly to ground.  
- Never band together negative cables of multiple speakers.

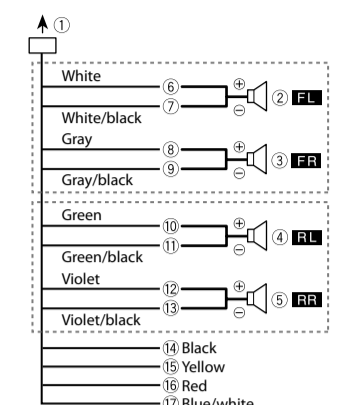
- When this unit is on, control signals are sent through the blue/white cable. Connect this cable to the system remote control of an external power amp or the vehicle's auto-antenna relay control terminal (max. 300mA 12V DC). If the vehicle is equipped with a glass antenna, connect it to the antenna booster power supply terminal.  
- Never connect the blue/white cable to the power terminal of an external power amp. Also, never connect it to the power terminal of the auto antenna. Doing so may result in battery drain or a malfunction.  
- The graphical symbol placed on the product means direct current.  
- The function and audio settings other than the setting of RCA pre-outs are stored in memory if the unit is disconnected from power supply.

### This unit

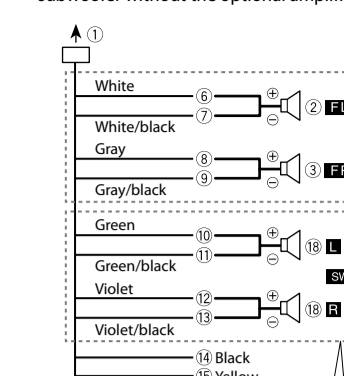


### Power cord

Perform these connections when not connecting a rear speaker or middle range speaker lead to a subwoofer.



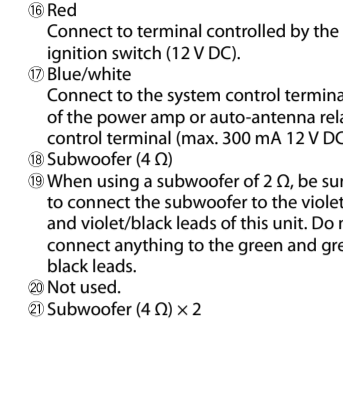
Perform these connections when using a subwoofer without the optional amplifier.



**Important**  
In the case of 11) above, two 4 Ω subwoofers wired in parallel will represent a 2 Ω load.

### Power amp (sold separately)

Perform these connections when using the optional amplifier.



### Installation

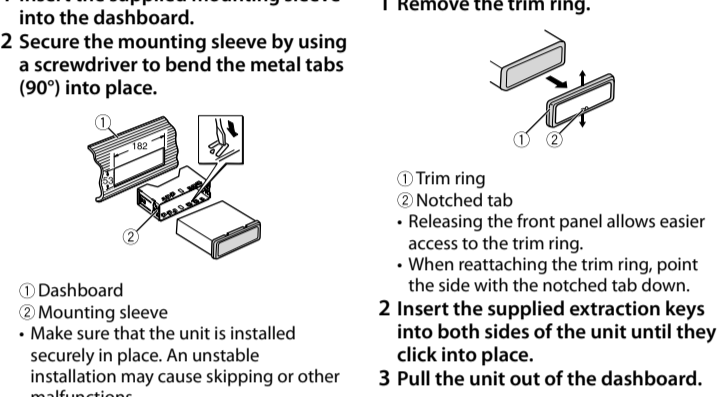
**Important**  
- Check all connections and systems before final installation.  
- Do not use unauthorized parts as this may cause malfunctions.  
- Consult your dealer if installation requires drilling of holes or other modifications to the vehicle.  
- Do not install this unit where:  
- It may interfere with operation of the vehicle.  
- It may cause injury to a passenger as a result of a sudden stop.  
- Install this unit away from hot places such as near the heater outlet.  
- Optimum performance is obtained when the unit is installed at an angle of less than 60°.

- When installing, to ensure proper heat dispersal when using this unit, make sure you leave ample space behind the rear panel and wrap any loose cables so they are not blocking the vents.



### Removing the unit (installed with the supplied mounting sleeve)

- 1 Remove the trim ring.



### Basic operation

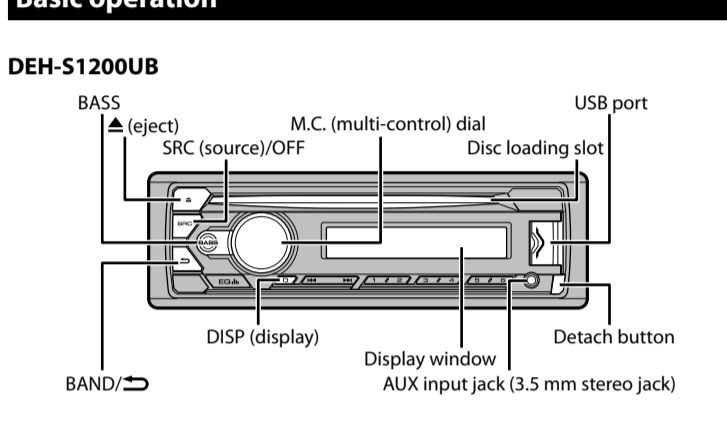
- 1 Determine the appropriate position where the holes on the bracket and the side of the unit match.

- 1 Tighten the screws on each side.

- 1 Screw
- 2 Mounting bracket
- 3 Dashboard or console

- 1 Use either torsx (5 mm x 9 mm) or flush surface (5 mm x 9 mm) screws, depending on the bracket screw holes.

### Basic operation



### Basic operation

- 1 Determine the appropriate position where the holes on the bracket and the side of the unit match.

- 1 Tighten the screws on each side.

- 1 Screw
- 2 Mounting bracket
- 3 Dashboard or console

- 1 Use either torsx (5 mm x 9 mm) or flush surface (5 mm x 9 mm) screws, depending on the bracket screw holes.

### About the main menu

You can adjust various settings in the main menu.

- 1 Press the **M.C.** dial to display the main menu.
- 2 Turn the **M.C.** dial to select one of the categories below, then press to confirm.
  - FUNCTION settings
  - AUDIO settings
  - SYSTEM settings
  - ILLUMINATION settings
- 3 Turn the **M.C.** dial to select the options, then press to confirm.

### Frequently used operations

Purpose	Operation
Turn on the power	Press <b>SRC/OFF</b> to turn on the power.
Adjust the volume	Press and hold <b>SRC/OFF</b> to turn off the power.
Select a source	Press <b>SRC/OFF</b> repeatedly.
Change the display information	Press <b>DISP</b> repeatedly.
Return to the previous display/list	Press <b>BAND/▷</b> .
Return to the normal display from the menu	Press and hold <b>BAND/▷</b> .
Change the display brightness	Press and hold <b>BAND/▷</b> .
Boost the bass level	Press <b>BASS</b> . • You can select the bass level in [BASS BOOST].

### Setup operation

When you turn the ignition switch to ON after installation, [SET UP: YES] appears in the display.

- 1 Press the **M.C.** dial.
- 2 Turn the **M.C.** dial to adjust the hour, then press to confirm. The indicator moves to the minute setting automatically.
- 3 Turn the **M.C.** dial to adjust the minute, then press to confirm.
- 4 [QUIT: YES] appears when all the settings have been made.
- 5 Press the **M.C.** dial to confirm the settings.

### Tuner operation

#### Receiving preset stations

- 1 Press **SRC/OFF** to select [RADIO].
- 2 Press **BAND/▷** to select the band. [FM1] ↔ [FM2] ↔ [FM3] ↔ [AM].
- 3 Press a number button (1/△ to 6/▽).

#### Best stations memory (BSM)

- 1 After selecting the band, press the **M.C.** dial to display the main menu.
- 2 Turn the **M.C.** dial to select [FUNCTION], then press to confirm.
- 3 Turn the **M.C.** dial to select [BSM], then press to confirm.

#### To store stations manually

- 1 While receiving the station you want to store, press and hold one of the number buttons (1/△ to 6/▽) until it stops flashing.

## Français

Ce guide est destiné à vous guider dans les fonctions de base de cet appareil. Pour les détails, veuillez vous reporter au Mode d'emploi disponible sur le site Web. <https://www.pioneerelectronics.com/PUSA/Support>

### Avant de commencer

- N'essayez pas de démonter ou de modifier cet appareil. Veillez àrouter la route et garer votre véhicule en lieu sûr avant d'essayer d'utiliser les commandes de l'appareil.
- PRÉCAUTION**  
Ne laissez pas cet appareil entrer en contact avec l'humidité et/ou des liquides. Cela pourrait provoquer une électrocution. Vous devez lire et respecter les avertissements. **ATTENTION** de ce guide. Veuillez conserver ce guide à l'endroit où il est facilement accessible pour toute consultation ultérieure.
- PRÉCAUTION**  
Le lecteur optique monté sur ce véhicule est classifié comme produit laser de classe 1 selon la norme relative à la sécurité, IEC 60825-1:2014.
- PRODUIT LASER DE CLASSE 1**
- Utilisez cet appareil uniquement avec une batterie 12 volts et une mise à la masse négative. Le non-respect de cette consigne pourrait entraîner un incendie ou un problème de fonctionnement.
- Évitez un court-circuit, une surchauffe ou un problème de fonctionnement, assurez-vous de respecter les instructions suivantes.  
- Déconnectez la borne négative de la batterie avant l'installation.  
- Fixez le câblage avec des serre-câbles ou du ruban adhésif. Pour protéger le câblage, enroulez du ruban adhésif autour des parties du câblage en contact avec des pièces métalliques.  
- Placez tous les câbles à distance des pièces mobiles, telles que le levier de vitesses et les rails des sièges.  
- Recouvrez tous les connecteurs de câbles qui ne sont pas connectés avec du ruban isolant.  
- Ne raccourcissez pas les câbles.

**Service après-vente des produits Pioneer**  
Veuillez contacter le détaillant ou le distributeur auprès duquel vous avez acheté cet appareil ou un centre d'entretien PIONEER agréé pour le service après-vente ou toute autre information. Dans le cas où les informations nécessaires ne seraient pas disponibles, veuillez contacter les entreprises indiquées ci-dessous. Remarque: l'appareil peut nécessiter une réparation à l'une des adresses figurant ci-dessous sans avoir pris contact au préalable.

**ÉTATS-UNIS et CANADA**  
Pioneer Electronics (USA) Inc.  
CUSTOMER SUPPORT DIVISION  
P.O. Box 1760  
Long Beach, CA 90801-1760  
800-421-1664

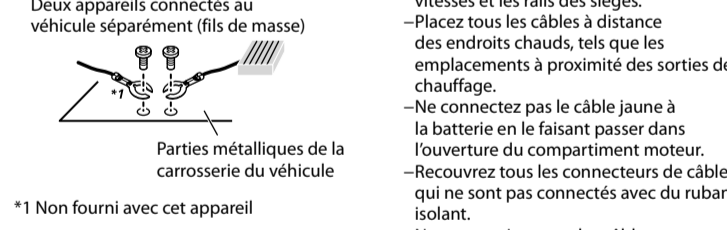
Deux appareils connectés au véhicule (séparément (fils de masse))

Parties métalliques de la carrosserie du véhicule

\* Non fourni avec cet appareil.

### Connexions

**ATTENTION**  
- Lorsque le fil de masse de l'amplificateur de puissance et celui de cet appareil ou de tout autre appareil doivent être connectés au véhicule séparément et avec des vis différentes. Si la vis du fil de masse se desserte ou tombe, il pourrait entraîner un incendie, d'une fumée ou un problème de fonctionnement.



\* Non fourni avec cet appareil.

### Cet appareil

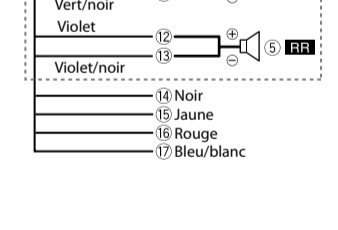
Effectuez ces connexions lors de l'utilisation d'un haut-parleur d'extrêmes graves sans l'amplificateur en option.

1 Blanc  
2 Noir/rouge  
3 Gris  
4 Gris/bleu  
5 Vert  
6 Vert/noir  
7 Violet  
8 Violet/noir  
9 Blanc  
10 Jaune  
11 Gris/noir  
12 Vert  
13 Vert/noir  
14 Violet  
15 Violet/noir  
16 Blanc  
17 Gris  
18 Gris  
19 Vert

### Cet appareil

Effectuez ces connexions lors de l'utilisation d'un haut-parleur d'extrêmes graves sans l'amplificateur en option.

1 Blanc  
2 Noir/rouge  
3 Gris  
4 Gris/bleu  
5 Vert  
6 Vert/noir  
7 Violet  
8 Violet/noir  
9 Blanc  
10 Jaune  
11 Gris/noir  
12 Vert  
13 Vert/noir  
14 Violet  
15 Violet/noir  
16 Blanc  
17 Gris  
18 Gris  
19 Vert

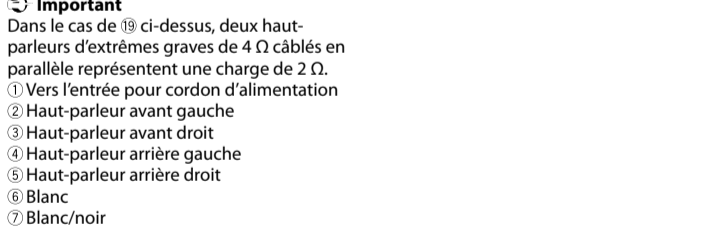


\* Non fourni avec cet appareil.

### Amplificateur de puissance (vendu séparément)

Effectuez ces connexions lors de l'utilisation de l'amplificateur en option.

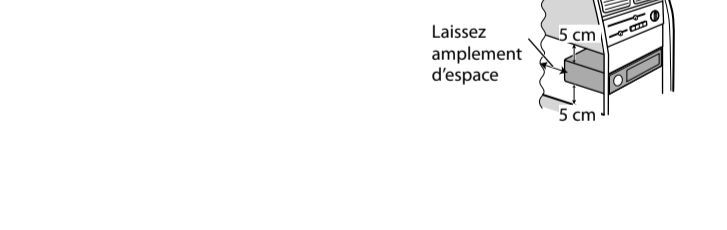
1 Blanc  
2 Noir/rouge  
3 Gris  
4 Gris/bleu  
5 Vert  
6 Vert/noir  
7 Violet  
8 Violet/noir  
9 Blanc  
10 Jaune  
11 Gris/noir  
12 Vert  
13 Vert/noir  
14 Violet  
15 Violet/noir  
16 Blanc  
17 Gris  
18 Gris  
19 Vert



\* Non fourni avec cet appareil.

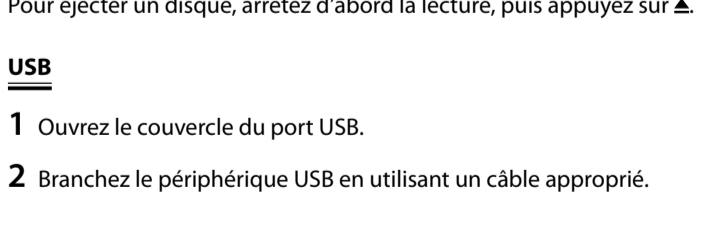
### Installation

- 1 Insérez le manchon de montage fourni dans le tableau de bord.
- 2 Fixez le manchon de montage en utilisant un tournevis pour courber les pattes métalliques (90°) en place.



### Installation de montage DIN

- 1 Insérez le manchon de montage fourni dans le tableau de bord.
- 2 Fixez le manchon de montage en utilisant un tournevis pour courber les pattes métalliques (90°) en place.



### Pour fixer la face avant

- 1 Serrez les vis de chaque côté.

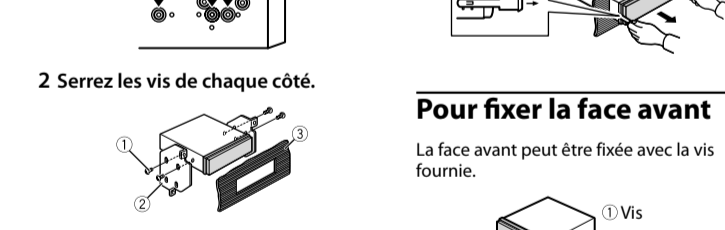
- 1 Vis
- 2 Support de montage
- 3 Tableau de bord ou console

### Pour fixer la face avant

- 1 Serrez les vis de chaque côté.

### Installation de montage DIN

- 1 Insérez le manchon de montage fourni dans le tableau de bord.
- 2 Fixez le manchon de montage en utilisant un tournevis pour courber les pattes métalliques (90°) en place.



### Pour fixer la face avant

- 1 Serrez les vis de chaque côté.



### Pour fixer la face avant

- 1 Serrez les vis de chaque côté.

- 1 Vis
- 2 Support de montage
- 3 Tableau de bord ou console

### Making a connection with Pioneer ARC APP

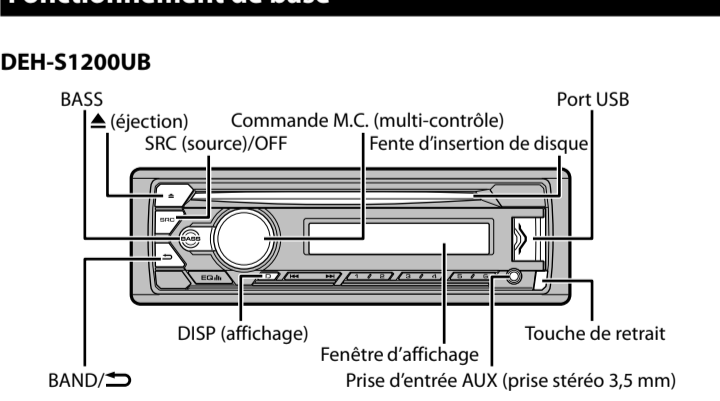
Pioneer's Advanced app converts your compatible smartphone into a powerful touchscreen remote control.



**WARNING**  
Do not attempt to operate the application while driving. Make sure to pull off the road and park your vehicle in a safe location before attempting to use the controls on the application.

- 1 Enter the SYSTEM menu (refer to "About the main menu").
- 2 Turn the **M.C.** dial to select [ANDROID WIRED], then press to confirm.
- 3 Turn the **M.C.** dial to select [APP CONTROL], then press to confirm.
- 4 Turn the **M.C.** dial to select [PAPP AUTO ON], then press to confirm.
- 5 Turn the **M.C.** dial to select [ON], then press to confirm.
- 6 Connect this unit with the Android device via USB. Pioneer ARC APP on the device starts automatically.

### Fonctionnement de base



### À propos du menu principal

Vous pouvez ajuster divers réglages dans le menu principal.

- 1 Appuyez sur la commande **M.C.** pour afficher le menu principal.
- 2 Tournez la commande **M.C.** pour sélectionner l'une des catégories ci-dessous, puis appuyez pour confirmer.
  - Réglages FUNCTION
  - Réglages AUDIO
  - Réglages SYSTEM
  - Réglages ILLUMINATION
- 3 Tournez la commande **M.C.** pour sélectionner les options, puis appuyez pour confirmer.

## Español

Esta guía tiene la intención de guiarlo a través de las funciones básicas de esta unidad.

Para más detalles, consulte el manual de operación que se almacena en este sitio web.

<https://www.pioneerelectronics.com/PUSA/Support>

## Antes de comenzar

### ¡Gracias por adquirir este producto PIONEER!

Para garantizar un uso adecuado, lea esta guía antes de usar el producto. Es sumamente importante que lea la **ADVERTENCIA** y **PRECAUCIONES** de esta guía y cumpla con ellas. Guarde esta guía en un lugar seguro y de fácil acceso para consultarla en el futuro.

### ADVERTENCIA

Se necesitan sistemas de visión trasera (cámaras de retroceso en determinados vehículos nuevos que se venden en Estados Unidos y Canadá. En Estados Unidos, el 1º de mayo de 2016 se implementó un programa de dos años mediante el cual se debían instalar sistemas de visión trasera en todos los vehículos fabricados después del 1º de mayo de 2016 en Estados Unidos y Canadá. **Los propietarios de los vehículos equipados con sistemas de visibilidad trasera conforme a la legislación no deben instalar ni utilizar este producto si ello alterara o deshabilitara el sistema.** Si no está seguro acerca de si su vehículo tiene un sistema de visibilidad trasera conforme a la normativa de Estados Unidos y Canadá, póngase en contacto con el fabricante o distribuidor.

**No trate de instalar o reparar este producto usted mismo. La instalación o la reparación de este producto por parte de personas sin cualificación ni experiencia en equipo electrónico y accesorios para automóviles puede ser peligrosa y puede exponerle al riesgo de sufrir una descarga eléctrica u otros peligros.**

No intente utilizar la unidad mientras está conduciendo. Anéjmase de salir de la carretera y aparcar su vehículo en un lugar seguro antes de intentar utilizar los controles del dispositivo.

### PRECAUCIÓN

No permita que esta unidad entre en contacto con humedad y/o líquidos. Puede sufrir un choque eléctrico. Además, el contacto con líquidos puede provocar daños en la unidad, humo o sobrecalentamiento.

- Mantenga siempre el volumen lo suficientemente bajo como para poder escuchar los sonidos que provienen del exterior.

Este producto es evaluado en condiciones de clima moderado y tropical en aparatos electrónicos de audio, vídeo y similares. Requisitos de seguridad, IEC 60065.

**PRECAUCIÓN**  
Este es un producto láser clase 1 clasificado en la directiva IEC 60825-1:2014 relativa a la seguridad de productos láser.

PRODUCTO LÁSER DE CLASE 1

## Servicio posventa para productos Pioneer

Póngase en contacto con el concesionario, el distribuidor donde compró la unidad o el centro de servicio PIONEER autorizados para obtener el servicio posventa o información adicional. En caso de que la información necesaria no esté disponible, póngase en contacto con las empresas que figuran a continuación: Póngase en contacto con las empresas siguientes antes de enviar la unidad para su reparación a las direcciones que figuran a continuación.

**EE. UU. y CANADA**  
Pioneer Electronics (USA) Inc.  
CUSTOMER SUPPORT DIVISION  
P.O. Box 1760  
Long Beach, CA 90801-1760  
800-421-1604

Para ver la información de la garantía, vea la ficha de la Garantía limitada que se incluye con su unidad.

## Conexiones

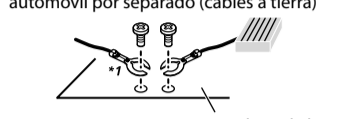
### ADVERTENCIA

- Cuando se utiliza la salida de altavoces en 4 canales, use altavoces con una potencia nominal mayor a 50 W (potencia de entrada máxima) y entre 4 y 8 Ω (valor de impedancia). No utilice altavoces de 1 a 3 Ω con esta unidad.

- Cuando un subwoofer de 2 Ω utilice la salida del altavoz trasero, use altavoces con una potencia nominal mayor a 70 W.

- Consulte las conexiones para ver un método de conexión.
- El cable negro es la tierra. Al instalar esta unidad o un amplificador de potencia (se vende por separado), asegúrese de conectar primero el cable a tierra. Asegúrese de que el cable a tierra esté conectado correctamente a las piezas metálicas de la carrocería del automóvil. El cable a tierra del amplificador de potencia y el de esta unidad o de cualquier otro dispositivo deben conectarse al automóvil por separado con tornillos independientes. Si el tornillo del cable a tierra se afloja o cae, podría producir un incendio, lo que provocaría humo o un mal funcionamiento.

Dos dispositivos conectados al automóvil por separado (cables a tierra)



Piezas metálicas de la carrocería del automóvil

\*1 No se suministra para esta unidad

### Importante

- Al instalar esta unidad en un vehículo sin posición ACC (accessory) en la llave de encendido, si no se conecta el cable rojo al terminal que detecta el funcionamiento de la llave de encendido, es posible que se agote la batería.

Posición ACC Sin posición ACC

- Utilice esta unidad con una batería de 12 voltios y conexión a tierra negativa únicamente. En caso contrario, se podría producir un incendio o un mal funcionamiento.
- Para evitar un cortocircuito, sobrecalentamiento o un mal funcionamiento, asegúrese de seguir las indicaciones siguientes.

- Desconecte el terminal negativo de la batería antes de la instalación.
- Asegure el cableado con pinzas para cable o cinta adhesiva. Evuelva la cinta adhesiva alrededor del cableado que entra en contacto con las partes metálicas para proteger el cableado.

- Coloque todos los cables lejos de las piezas móviles, como la palanca de cambios y los rieles de los asientos.
- Coloque todos los cables lejos de lugares calientes, como cerca de la salida de la calefacción.

- No pase el cable amarillo por el orificio del compartimiento del motor para conectarlo a la batería.

- Cubra los conectores de los cables desconectados con cinta aisladora.
- No acorte ningún cable.
- Nunca corte el aislamiento del cable de alimentación de esta unidad para compartir la alimentación con otros dispositivos. La capacidad actual del cable es limitada.

–Utilice un fusible de la calificación prescrita.

–Nunca conecte el cable negativo del altavoz directamente a la tierra.

–Nunca use cinta para unir los cables negativos de varios altavoces.

- Cuando esta unidad está encendida, las señales de control se envían a través del cable azul/blanco. Conecte este cable al control remoto del sistema de un amplificador de potencia externo o al terminal de control del relé de la antena automática del vehículo (máx. 300 mA, 12 V cc).

- Si el vehículo está equipado con una antena en el parabrisas, conéctelo al terminal de alimentación del amplificador de la antena.

- Nunca conecte el cable azul/blanco al terminal de alimentación de un amplificador de potencia externo.

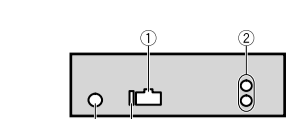
Además, nunca lo conecte al terminal de alimentación de la antena automática.

- De lo contrario, o se produzca un mal funcionamiento.

- El símbolo gráfico que se encuentra en el producto significa corriente continua.

- La configuración de las funciones y de audio que no sea la de las salidas RCA del preamplificador se almacena en la memoria si se desconecta la unidad de la alimentación.

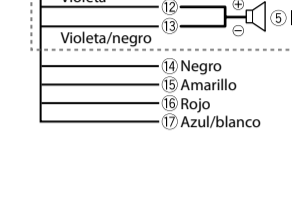
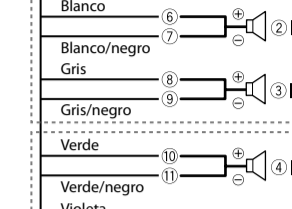
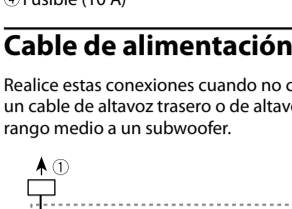
## Esta unidad



1) Entrada del cable de alimentación  
2) Salida trasera o salida del subwoofer  
3) Entrada de la antena  
4) Fusible (10 A)

## Cable de alimentación

Realice estas conexiones cuando no conecte un cable de altavoz trasero o de altavoz de rango medio o un subwoofer.



1) Verde  
2) Negro  
3) Verde/violeta  
4) Negro  
5) Verde/violeta  
6) Verde  
7) Verde/violeta  
8) Verde/violeta

9) Verde  
10) Negro  
11) Verde/violeta  
12) Verde/violeta

13) Verde  
14) Negro  
15) Verde/violeta  
16) Verde/violeta

17) Verde  
18) Negro  
19) Verde/violeta  
20) Verde/violeta

21) Verde  
22) Negro  
23) Verde/violeta  
24) Verde/violeta

25) Verde  
26) Negro  
27) Verde/violeta  
28) Verde/violeta

29) Verde  
30) Negro  
31) Verde/violeta  
32) Verde/violeta

33) Verde  
34) Negro  
35) Verde/violeta  
36) Verde/violeta

37) Verde  
38) Negro  
39) Verde/violeta  
40) Verde/violeta

41) Verde  
42) Negro  
43) Verde/violeta  
44) Verde/violeta

45) Verde  
46) Negro  
47) Verde/violeta  
48) Verde/violeta

49) Verde  
50) Negro  
51) Verde/violeta  
52) Verde/violeta

53) Verde  
54) Negro  
55) Verde/violeta  
56) Verde/violeta

57) Verde  
58) Negro  
59) Verde/violeta  
60) Verde/violeta

61) Verde  
62) Negro  
63) Verde/violeta  
64) Verde/violeta

65) Verde  
66) Negro  
67) Verde/violeta  
68) Verde/violeta

69) Verde  
70) Negro  
71) Verde/violeta  
72) Verde/violeta

73) Verde  
74) Negro  
75) Verde/violeta  
76) Verde/violeta

77) Verde  
78) Negro  
79) Verde/violeta  
80) Verde/violeta

81) Verde  
82) Negro  
83) Verde/violeta  
84) Verde/violeta

85) Verde  
86) Negro  
87) Verde/violeta  
88) Verde/violeta

89) Verde  
90) Negro  
91) Verde/violeta  
92) Verde/violeta

93) Verde  
94) Negro  
95) Verde/violeta  
96) Verde/violeta

97) Verde  
98) Negro  
99) Verde/violeta  
100) Verde/violeta

101) Verde  
102) Negro  
103) Verde/violeta  
104) Verde/violeta

105) Verde  
106) Negro  
107) Verde/violeta  
108) Verde/violeta

109) Verde  
110) Negro  
111) Verde/violeta  
112) Verde/violeta

113) Verde  
114) Negro  
115) Verde/violeta  
116) Verde/violeta

117) Verde  
118) Negro  
119) Verde/violeta  
120) Verde/violeta

121) Verde  
122) Negro  
123) Verde/violeta  
124) Verde/violeta

125) Verde  
126) Negro  
127) Verde/violeta  
128) Verde/violeta

129) Verde  
130) Negro  
131) Verde/violeta  
132) Verde/violeta

133) Verde  
134) Negro  
135) Verde/violeta  
136) Verde/violeta

137) Verde  
138) Negro  
139) Verde/violeta  
140) Verde/violeta

141) Verde  
142) Negro  
143) Verde/violeta  
144) Verde/violeta

145) Verde  
146) Negro  
147) Verde/violeta  
148) Verde/violeta

149) Verde  
150) Negro  
151) Verde/violeta  
152) Verde/violeta

153) Verde  
154) Negro  
155) Verde/violeta  
156) Verde/violeta

157) Verde  
158) Negro  
159) Verde/violeta  
160) Verde/violeta

161) Verde  
162) Negro  
163) Verde/violeta  
164) Verde/violeta

165) Verde  
166) Negro  
167) Verde/violeta  
168) Verde/violeta

169) Verde  
170) Negro  
171) Verde/violeta  
172) Verde/violeta

173) Verde  
174) Negro  
175) Verde/violeta  
176) Verde/violeta

177) Verde  
178) Negro  
179) Verde/violeta  
180) Verde/violeta

181) Verde  
182) Negro  
183) Verde/violeta  
184) Verde/violeta

185) Verde  
186) Negro  
187) Verde/violeta  
188) Verde/violeta

189) Verde  
190) Negro  
191) Verde/violeta  
192) Verde/violeta

193) Verde  
194) Negro  
195) Verde/violeta  
196) Verde/violeta

197) Verde  
198) Negro  
199) Verde/violeta  
200) Verde/violeta

201) Verde  
202) Negro  
203) Verde/violeta  
204) Verde/violeta

205) Verde  
206) Negro  
207) Verde/violeta  
208) Verde/violeta

209) Verde  
210) Negro  
211) Verde/violeta  
212) Verde/violeta

213) Verde  
214) Negro  
215) Verde/violeta  
216) Verde/violeta

217) Verde  
218) Negro  
219) Verde/violeta  
220) Verde/violeta

221) Verde  
222) Negro  
223) Verde/violeta  
224) Verde/violeta

225) Verde  
226) Negro  
227) Verde/violeta  
228) Verde/violeta

229) Verde  
230) Negro  
231) Verde/violeta  
232) Verde/violeta

233) Verde  
234) Negro  
235) Verde/violeta  
236) Verde/violeta

237) Verde  
238) Negro  
239) Verde/violeta  
240) Verde/violeta

241) Verde  
242) Negro  
243) Verde/violeta  
244) Verde/violeta

245) Verde  
246) Negro  
247) Verde/violeta  
248) Verde/violeta

249) Verde  
250) Negro  
251) Verde/violeta  
252) Verde/violeta

253) Verde  
254) Negro  
255) Verde/violeta  
256) Verde/violeta

257) Verde  
258) Negro  
259) Verde/violeta  
260) Verde/violeta

261) Verde  
262) Negro  
263) Verde/violeta  
264) Verde/violeta

265) Verde  
266) Negro  
267) Verde/violeta  
268) Verde/violeta

269) Verde  
270) Negro  
271) Verde/violeta  
272) Verde/violeta

273) Verde  
274) Negro  
275) Verde/violeta  
276) Verde/violeta

277) Verde  
278) Negro  
279) Verde/violeta  
280) Verde/violeta

281) Verde  
282) Negro  
283) Verde/violeta  
284) Verde/violeta

285) Verde  
286) Negro  
287) Verde/violeta  
288) Verde/violeta

289) Verde  
290) Negro  
291) Verde/violeta  
292) Verde/violeta

293) Verde  
294) Negro  
295) Verde/violeta  
296) Verde/violeta

297) Verde  
298) Negro  
299) Verde/violeta  
300) Verde/violeta

301) Verde  
302) Negro  
303) Verde/violeta  
304) Verde/violeta

305) Verde  
306) Negro  
307) Verde/violeta  
308) Verde/violeta

309) Verde  
310) Negro  
311) Verde/violeta  
312) Verde/violeta

313) Verde  
314) Negro  
315) Verde/violeta  
316) Verde/violeta

317) Verde  
318) Negro  
319) Verde/violeta  
320) Verde/violeta

321) Verde  
322) Negro  
323) Verde/violeta  
324) Verde/violeta

325) Verde  
326) Negro  
327) Verde/violeta  
328) Verde/violeta

329) Verde  
330) Negro  
331) Verde/violeta  
332) Verde/violeta

333) Verde  
334) Negro  
335) Verde/violeta  
336) Verde/violeta

337) Verde  
338) Negro  
339) Verde/violeta  
340) Verde/violeta

341) Verde  
342) Negro  
343) Verde/violeta  
344) Verde/violeta

345) Verde  
346) Negro  
347) Verde/violeta  
348) Verde/violeta

349) Verde  
350) Negro  
351) Verde/violeta  
352) Verde/violeta

353) Verde  
354) Negro  
355) Verde/violeta  
356) Verde/violeta

357) Verde  
358) Negro  
359) Verde/violeta  
360) Verde/violeta

361) Verde  
362) Negro  
363) Verde/violeta  
364) Verde/violeta

365) Verde  
366) Negro  
367) Verde/violeta  
368) Verde/violeta

369) Verde  
370) Negro  
371) Verde/violeta  
372) Verde/violeta

373) Verde  
374) Negro  
375) Verde/violeta  
376) Verde/violeta

377) Verde  
378) Negro  
379) Verde/violeta  
380) Verde/violeta

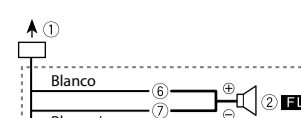
381) Verde  
382) Negro  
383) Verde/violeta  
384) Verde/violeta

385) Verde  
386) Negro  
387) Verde/violeta  
388) Verde/violeta

389) Verde  
390) Negro  
391) Verde/violeta  
392) Verde/violeta

393) Verde  
394) Negro  
395) Verde/violeta  
396) Verde/violeta

Realice estas conexiones cuando use un subwoofer sin el amplificador opcional.



1) Blanco  
2) Negro  
3) Gris  
4) Verde  
5) Violeta  
6) Negro  
7) Gris  
8) Verde  
9) Violeta  
10) Negro  
11) Gris  
12) Verde  
13) Violeta  
14) Negro  
15) Gris  
16) Verde  
17) Violeta  
18) Negro  
19) Gris  
20) Verde  
21) Violeta  
22) Negro  
23) Gris  
24) Verde  
25) Violeta  
26) Negro  
27) Gris  
28) Verde  
29) Violeta  
30) Negro  
31) Gris  
32) Verde  
33) Violeta  
34) Negro  
35) Gris  
36) Verde  
37) Violeta  
38) Negro  
39) Gris  
40) Verde  
41) Violeta  
42) Negro  
43) Gris  
44) Verde  
45) Violeta  
46) Negro  
47) Gris  
48) Verde  
49) Violeta  
50) Negro  
51) Gris  
52) Verde  
53) Violeta  
54) Negro  
55) Gris  
56) Verde  
57) Violeta  
58) Negro  
59) Gris  
60) Verde  
61) Violeta  
62) Negro  
63) Gris  
64) Verde  
65) Violeta  
66) Negro  
67) Gris  
68) Verde  
69) Violeta  
70) Negro  
71) Gris  
72) Verde  
73) Violeta  
74) Negro  
75) Gris  
76) Verde  
77) Violeta  
78) Negro  
79) Gris  
80) Verde  
81) Violeta  
82) Negro  
83) Gris  
84) Verde  
85) Violeta  
86) Negro  
87) Gris  
88) Verde  
89) Violeta  
90) Negro  
91) Gris  
92) Verde  
93) Violeta  
94) Negro  
95) Gris  
96) Verde  
97) Violeta  
98) Negro  
99) Gris  
100) Verde  
101) Violeta  
102) Negro  
103) Gris  
104) Verde  
105) Violeta  
106) Negro  
107) Gris  
108) Verde  
109) Violeta  
110) Negro  
111) Gris  
112) Verde  
113) Violeta  
114) Negro  
115) Gris  
116) Verde  
117) Violeta  
118) Negro  
119) Gris  
120) Verde  
121) Violeta  
122) Negro  
123) Gris  
124) Verde  
125) Violeta  
126) Negro  
127) Gris  
128) Verde  
129) Violeta  
130) Negro  
131) Gris  
132) Verde  
133) Violeta  
134) Negro  
135) Gris  
136) Verde  
137) Violeta  
138) Negro  
139) Gris  
140) Verde  
141) Violeta  
142) Negro  
143) Gris  
144) Verde  
145) Violeta  
146) Negro  
147) Gris  
148) Verde  
149) Violeta  
150) Negro  
151) Gris  
152) Verde  
153) Violeta  
154) Negro  
155) Gris  
156) Verde  
157) Violeta  
158) Negro  
159) Gris  
160) Verde  
161) Violeta  
162) Negro  
163) Gris  
164) Verde  
165) Violeta  
166) Negro  
167) Gris  
168) Verde  
169) Violeta  
170) Negro  
171) Gris  
172) Verde  
173) Violeta  
174) Negro  
175) Gris  
176) Verde  
177) Violeta  
178) Negro  
179) Gris  
180) Verde  
181) Violeta  
182) Negro  
183) Gris  
184) Verde  
185) Violeta  
186) Negro  
187) Gris  
188) Verde  
189) Violeta  
190) Negro  
191) Gris  
192) Verde  
193) Violeta  
194) Negro  
195) Gris  
196) Verde  
197) Violeta  
198) Negro  
199) Gris  
200) Verde  
201) Violeta  
202) Negro  
203) Gris  
204) Verde  
205) Violeta  
206) Negro  
207) Gris  
208) Verde  
209) Violeta  
210) Negro  
211) Gris  
212) Verde  
213) Violeta  
214) Negro  
215) Gris  
216) Verde  
217) Violeta  
218) Negro  
219) Gris  
220) Verde  
221) Violeta  
222) Negro  
223) Gris  
224) Verde  
225) Violeta  
226) Negro  
227) Gris  
228) Verde  
229) Violeta  
230) Negro  
231) Gris  
232) Verde  
233) Violeta  
234) Negro  
235) Gris  
236) Verde  
237) Violeta  
238) Negro  
239) Gris  
240) Verde  
241) Violeta  
242) Negro  
243) Gris  
244) Verde  
245) Violeta  
246) Negro  
247) Gris  
248) Verde  
249) Violeta  
250) Negro  
251) Gris  
252) Verde  
253) Violeta  
254) Negro  
255) Gris  
256) Verde  
257) Violeta  
258) Negro  
259) Gris  
260) Verde  
261) Violeta  
262) Negro  
263) Gris  
264) Verde  
265) Violeta  
266) Negro  
267) Gris  
268) Verde  
269) Violeta  
270) Negro  
271) Gris  
272) Verde  
273) Violeta  
274) Negro  
275) Gris  
276) Verde  
277) Violeta  
278) Negro  
279) Gris  
280) Verde  
281) Violeta  
282) Negro  
283) Gris  
284) Verde  
285) Violeta  
286) Negro  
287) Gris  
288) Verde  
289) Violeta  
290) Negro  
291) Gris  
292) Verde  
293) Violeta  
294) Negro  
295) Gris  
296) Verde  
297) Violeta  
298) Negro  
299) Gris  
300) Verde  
301) Violeta  
302) Negro  
303) Gris  
304) Verde  
305) Violeta  
306) Negro  
307) Gris  
308) Verde  
309) Violeta  
310) Negro  
311) Gris  
312) Verde  
313) Violeta  
314) Negro  
315) Gris  
316) Verde  
317) Violeta  
318) Negro